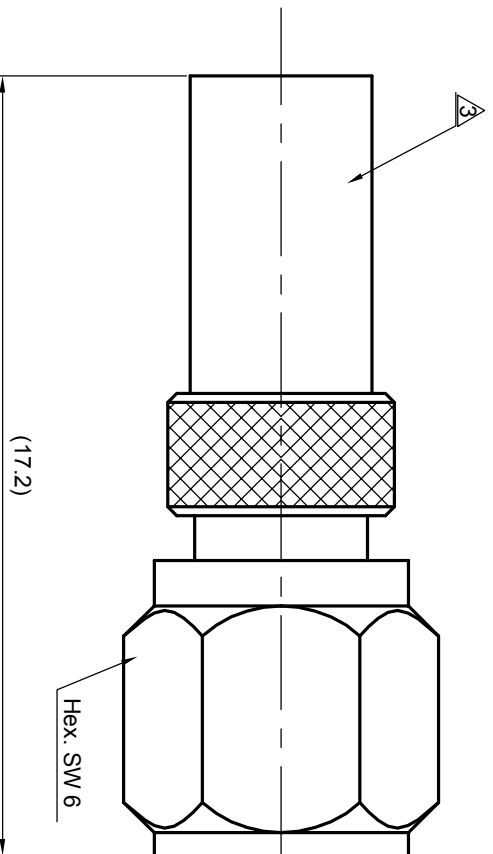


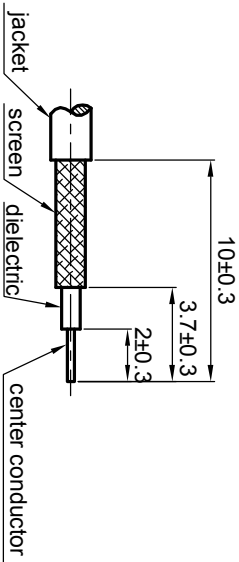
NOTES: (UNLESS OTHERWISE SPECIFIED)

1. Interface comply with IEC 169-9.
2. Part must be packaged to avoid any damaged during transportation.
3. After crimping dimension should be SW3,25

REV.	DESCRIPTION	APPROVED	DATE	ECN



RECOMMENDED CABLE STRIPPING DIMENSIONS



MATERIAL		SEE BOM OF DETAILS		TOLERANCES		THIRD ANGLE PROJECTION		TITLE	
SEE BOM OF DETAILS		SEE BOM OF DETAILS		Oplate X ±1 1place X ±0.1 2place .XX ±0.05 Angle ±5°					
FINISH		SEE BOM OF DETAILS		Remove burrs and sharp edges 		GENERAL ECCENTRICITY <input checked="" type="checkbox"/> 0.06		DWG. NO. 5320.SMC.JSC.06.111	
Plating part to be touched by gloves		SEE BOM OF DETAILS		NAME DATE ColIn 02Sep08		DRAWN BY ColIn		SCALE 6:1	
Dimension apply before plating		SEE BOM OF DETAILS		CHECKED BY		APPROVED BY		DO NOT SCALE DRAWING	
XXX - measuring point for plating		SEE BOM OF DETAILS		NOTICE: Those drawings and specifications are the property of ZEE TEQ CORPORATION and used only for the specify purpose authorised by ZEE TEQ.		DATE		SIZE A4	
SURFACE		VOLUME		APPROVED BY		DATE		SHEET 1 of 1	

