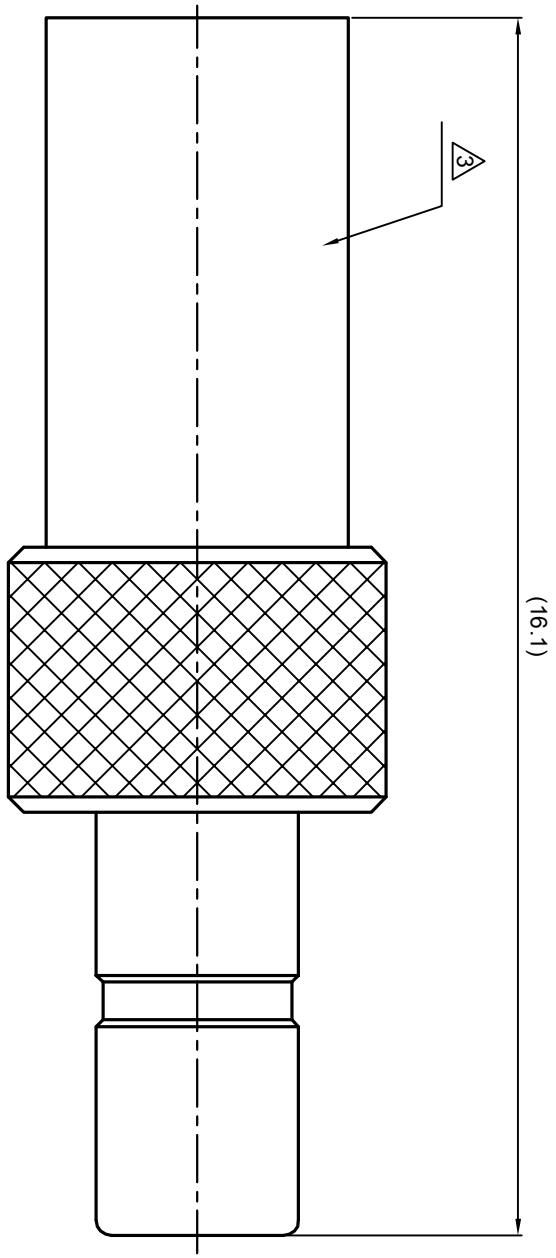


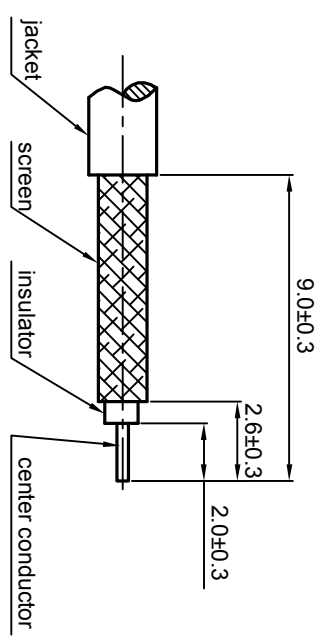
**NOTES: (UNLESS OTHERWISE SPECIFIED)**

1. The interface comply with IEC169-10.
2. Part must be packaged to avoid any damages during transportation.
3. After crimping dimension should be SW3.25

REV.	DESCRIPTION	APPROVED	DATE	ECN



RECOMMENDED CABLE STRIPPING DIMENSIONS



MATERIAL	SEE BOM FOR DETAILS
FINISH	SEE BOM FOR DETAILS
Plating part to be touched by gloves	
Dimension apply before plating	
XXX - measuring point for plating	
SURFACE	VOLUME

TOLERANCES	X ±1 X ±0.1 1place .XX ±0.05 2place ±5° Angle
Remove burrs and sharp edges	

THIRD ANGLE PROJECTION	
GENERAL ECCENTRICITY	<input checked="" type="checkbox"/> 0.06
DRAWN BY	NAME DATE
Colin	04Sep08
CHECKED BY	
APPROVED BY	

**NOTICE:** Those drawings and specifications are the property of ZEETEQ CORPORATION and used only for the specify purpose authorised by ZEETEQ

**Zeeteq**

TITLE  
**SSMB, PLUG, CABLE**

DWG NO.  
**5329.SSMB.PSC.07.111**

REV.  
**S1**

SCALE	DO NOT SCALE DRAWING	SIZE	SHEET
10:1		A4	1 of 1

