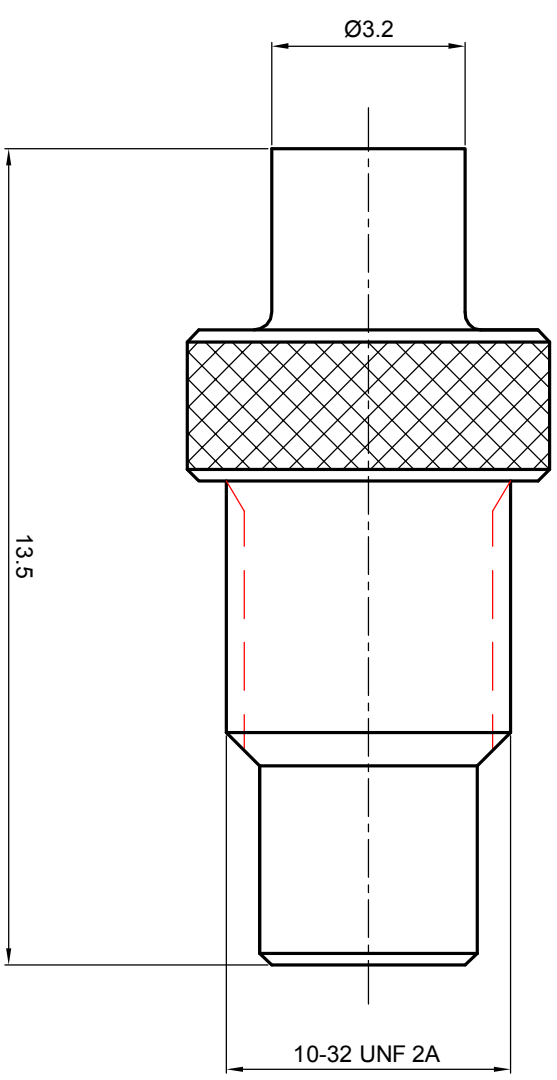
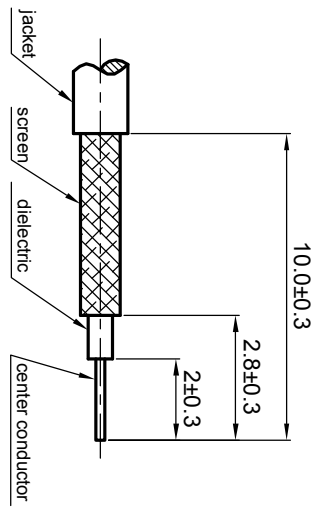


**NOTES: (UNLESS OTHERWISE SPECIFIED)**

1. Mating according to IEC169-9.
2. With a protective cap.
3. Part must be packaged to avoid any damages during transportation.



RECOMMENDED CABLE STRIPPING DIMENSIONS



REV.	DESCRIPTION	APPROVED	DATE	EON

MATERIAL		SEE BOM		THIRD ANGLE PROJECTION		TITLE	
FINISH		SEE BOM					
Plating part to be touched by gloves		TOLERANCES		DRAWN BY		DWG. NO.	
Dimension apply before plating		X ±1 X ±0.1 X ±0.05 XX ±0.05 Angle ±5°		Colin		5310.SMC.PSC.02.110	
XXX - measuring point for plating		Remove burrs and sharp edges		CHECKED BY		REV.	
SURFACE				APPROVED BY		S1	
VOLUME		-0.1 +0.1		DATE		SCALE	
		14Aug08		8:1		DO NOT SCALE DRAWING	
				SIZE		A4	
				SHEET		1 of 1	

NOTICE: Those drawings and specifications are the property of ZEETEQ CORPORATION and used only for the specify purpose authorised by ZEETEQ

