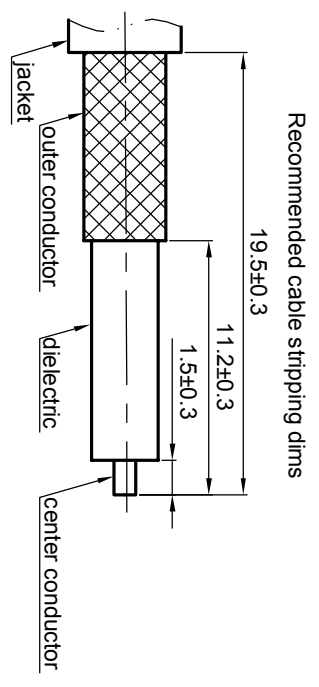
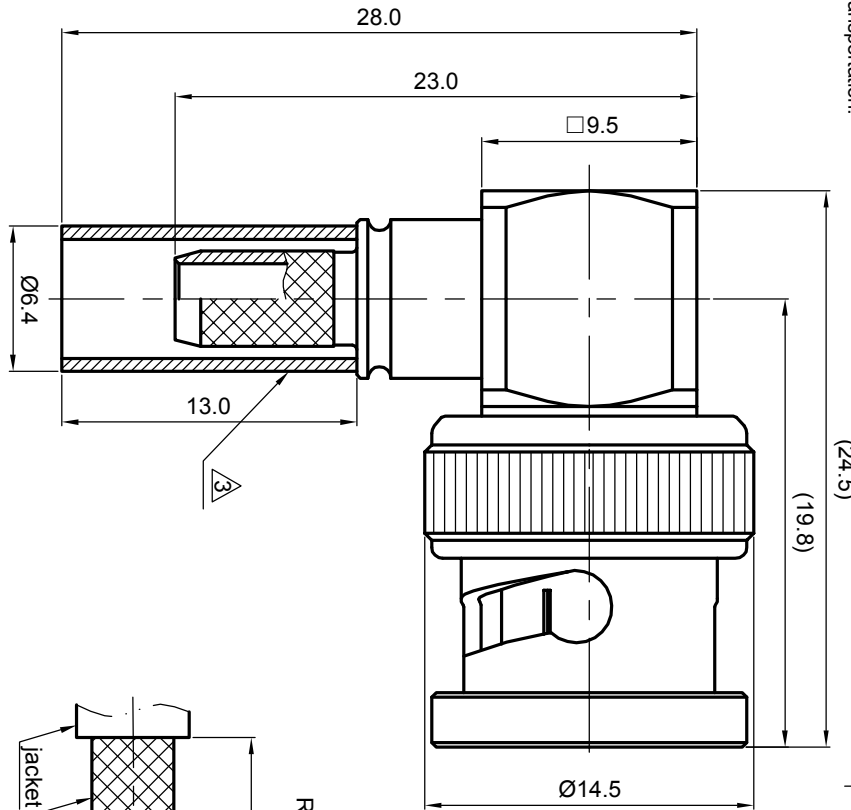


NOTES: (UNLESS OTHERWISE SPECIFIED)

1. Interface comply with IEC 169-8.
 2. Part must be packaged to avoid any damaged during transportation.
- ⚠ After crimping dimension should be AF/SW 5.4.1.



Recommended cable stripping dims

MATERIAL		SEE BOM OF DETAILS
FINISH		SEE BOM OF DETAILS
Plating part to be touched by gloves		
Dimension apply before plating		
XXX - measuring point for plating		
SURFACE	VOLUME	

TOLERANCES		Oplate X ±1 1place X ±0.1 2place XX ±0.05 Angle ±5°
Remove burrs and sharp edges		

THIRD ANGLE PROJECTION		
GENERAL ECCENTRICITY		0.06
DRAWN BY	NAME	DATE
CHICKEN BY	Billy Lei	27 Jun 08
APPROVED BY		

TITLE		Zee-teq	
BNC, plug, cable		DWG NO.	5253.BNC.PRC.08.133
SCALE	DO NOT SCALE DRAWING	SIZE	REV.
3:1		A4	S1
SHEET		1 of 1	

REV.	DESCRIPTION	APPROVED	DATE	ECN