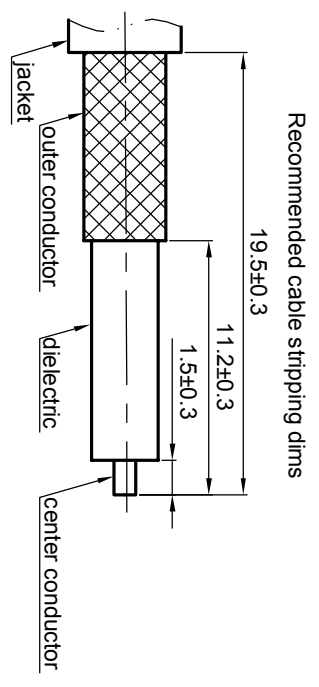
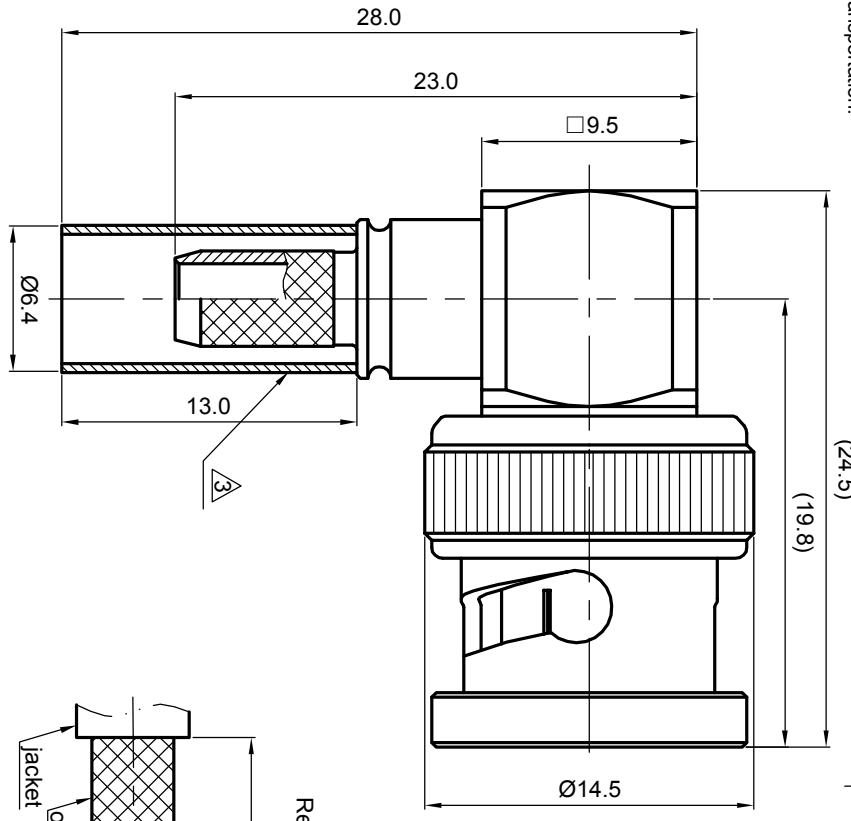


NOTES: (UNLESS OTHERWISE SPECIFIED)

1. Interface comply with IEC 169-8.
 2. Part must be packaged to avoid any damaged during transportation.
- ⚠ After crimping dimension should be AF/SW 5.41.



Recommended cable stripping dims

REV.	DESCRIPTION	APPROVED	DATE	ECN

MATERIAL		TOLERANCES		THIRD ANGLE PROJECTION		TITLE	
SEE BOM OF DETAILS		Oplate X ±1 1place X ±0.1 2place XX ±0.05 Angle ±5°				Zeeteq	
FINISH		Remove burrs and sharp edges		GENERAL ECCENTRICITY		NAME DATE Billy Lei 27 Jun 08	
SEE BOM OF DETAILS				<input checked="" type="checkbox"/> 0.06		DWG NO. 5254.BNC.PRC.09.133	
Plating part to be touched by gloves		DRAWN BY		APPROVED BY		SCALE	
Dimension apply before plating		CHECKED BY				3:1	
XXX - measuring point for plating		APPROVED BY				DO NOT SCALE DRAWING	
SURFACE		VOLUME				SIZE	
						A4	
						SHEET	
						1 of 1	
						REV.	
						S1	

N, plug, cable

5254.BNC.PRC.09.133