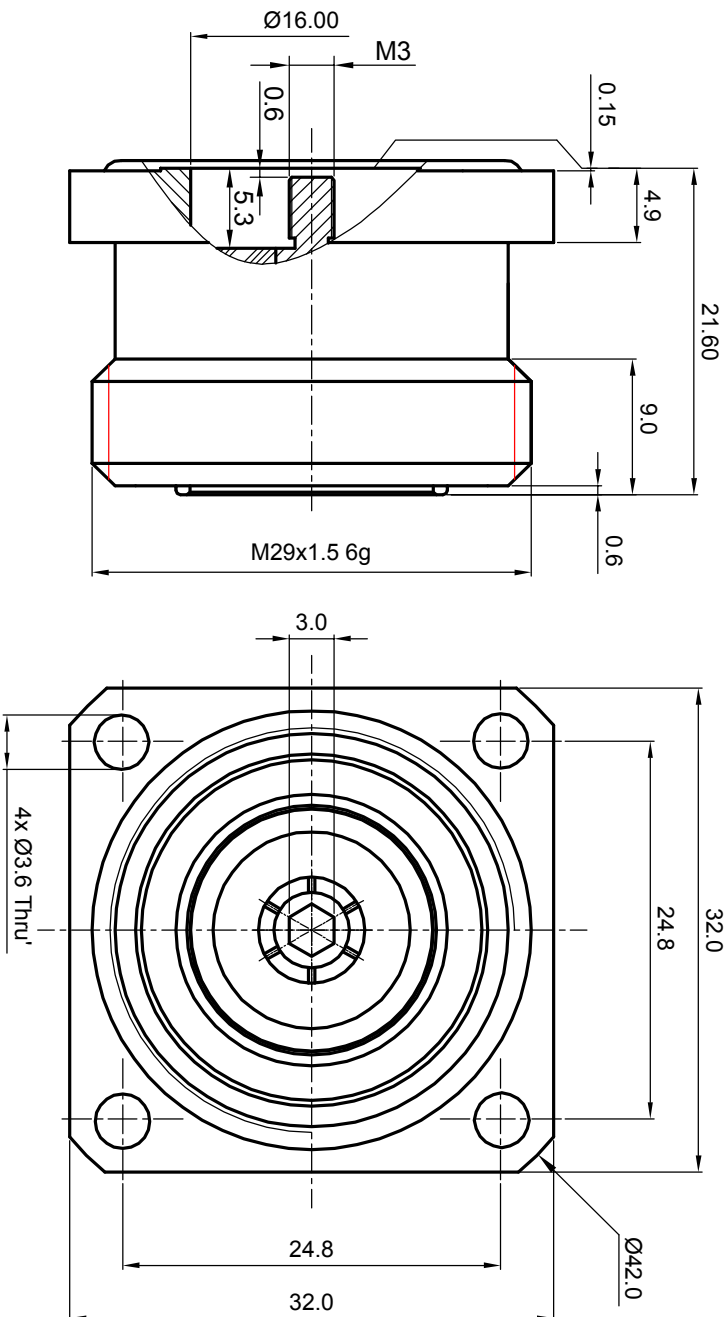


NOTES: (UNLESS OTHERWISE SPECIFIED)

1. Interface according to IEC 169-4
2. With a protective cap.
3. Part must be packaged to avoid any damages during transportation.



REV.	DESCRIPTION	APPROVED	DATE	EON

MATERIAL		SEE BOM		TOLERANCES		THIRD ANGLE PROJECTION		TITLE	
FINISH		SEE BOM		Opface X ±1 1place X ±0.1 2place XX ±0.05 Angle ±5°				7/16, JACK, FLANGE DWG NO. 6072.716.JSF.00.220	
SURFACE		SEE BOM		Remove burrs and sharp edges -0.1 +0.1		DRAWN BY Colin 20Sep07 CHECKED BY Walter 20Sep07 APPROVED BY Johnny 20Sep07		SCALE 2:1 DO NOT SCALE DRAWING SIZE A4 SHEET 1 of 1	
SURFACE		VOLUME		NOTICE: Those drawings and specifications are the property of ZEETEQ CORPORATION and used only for the specify purpose authorised by ZEETEQ		NAME DATE Colin 20Sep07 Walter 20Sep07 Johnny 20Sep07		REV. S1	

Zeeteq

1.6