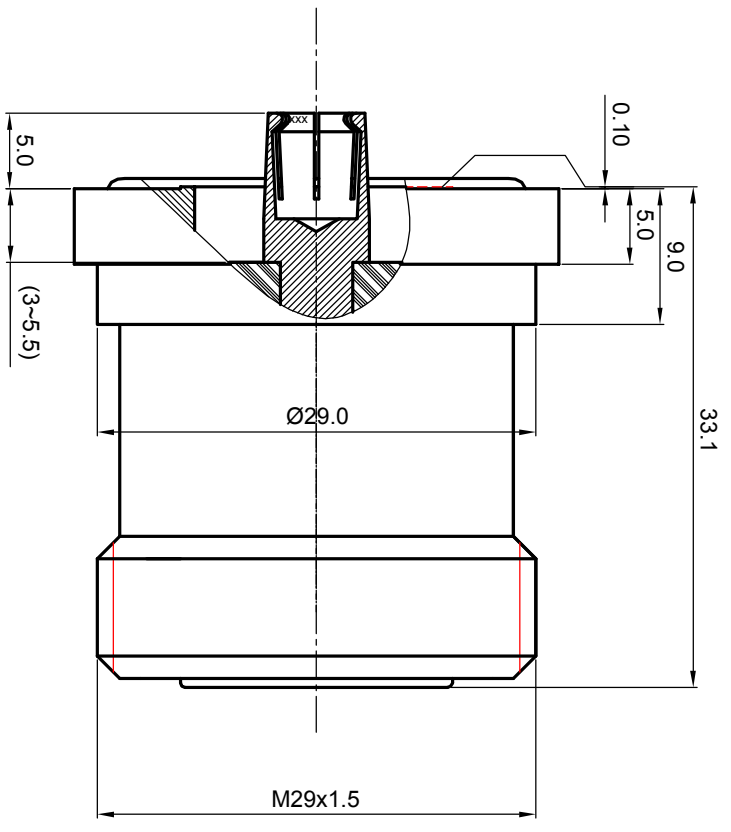
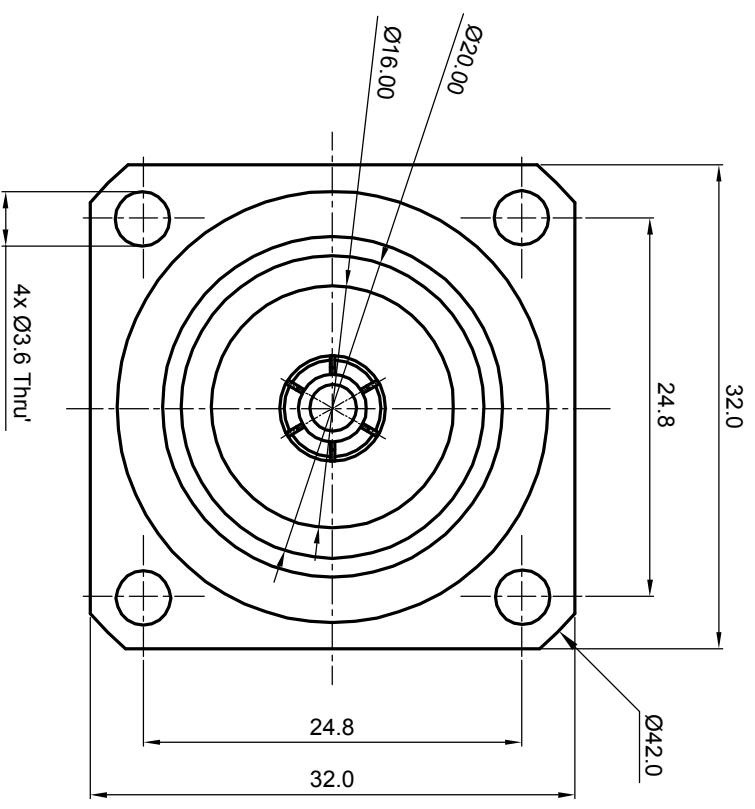


NOTES: (UNLESS OTHERWISE SPECIFIED)

1. Interface comply with IEC 169-4.
2. Part must be packaged to avoid any damages during transportation.
3. With a protective cap.



MATERIAL		SEE BOM		TOLERANCES		THIRD ANGLE PROJECTION		TITLE	
FINISH		SEE BOM		Opface X ±1 1place .X ±0.1 2place .XX ±0.05 Angle ±5°				7/16, JACK, FLANGE Zeeteq	
Plating part to be touched by gloves		Remove burrs and sharp edges				GENERAL ECCENTRICITY <input checked="" type="checkbox"/> Z1003		DWG NO. 6081.716.JSF.00.230	
Dimension apply before plating		DRAWN BY		NAME		DATE		REV.	
XXX - measuring point for plating		Colin		Colin		1801c07		S1	
SURFACE		VOLUME		CHECKED BY		APPROVED BY		SCALE	
								2:1	
								DO NOT SCALE DRAWING	
								SIZE A4	
								SHEET 1 of 1	

REV.	DESCRIPTION	APPROVED	DATE	EON