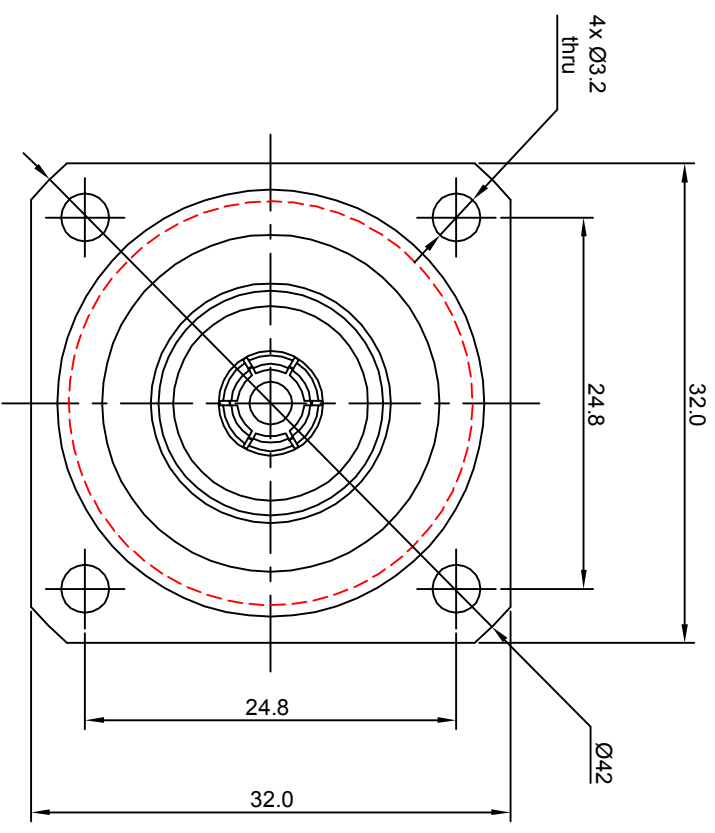
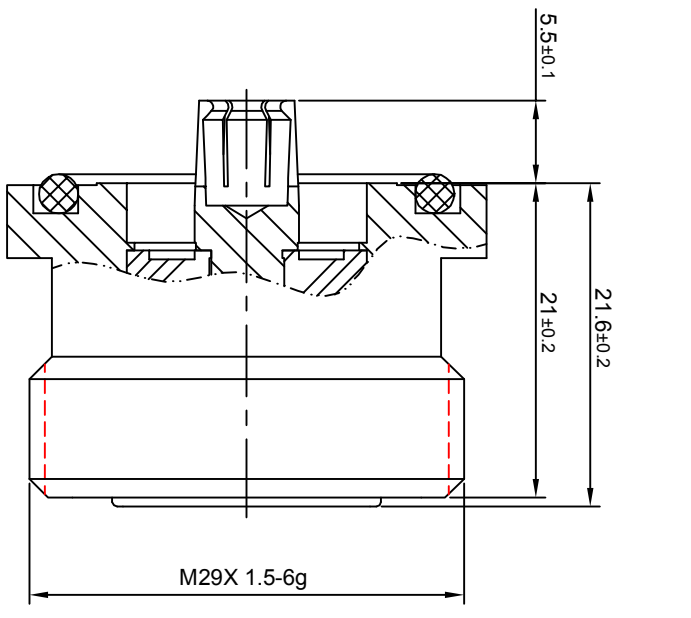


**NOTES: (UNLESS OTHERWISE SPECIFIED)**

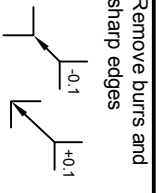
1. INTERFACE COMPLY WITH IEC 169-4.
2. PART MUST BE PACKAGED TO AVOID ANY DAMAGES DURING TRANSPORTATION.



REV.	DESCRIPTION	APPROVED	DATE	ECN
A	Rel to production	Johnny	11 Oct07	

MATERIAL	SEE BOM
FINISH	SEE BOM
Plating part to be touched by gloves	
Dimension apply before plating	
XXX - measuring point for plating	
SURFACE	VOLUME

TOLERANCES
0place X ±1
1place X ±0.1
2place XX ±0.05
Angle ±5°



**NOTICE:** Those drawings and specifications are the property of ZEETEQ CORPORATION and used only for the specify purpose authorised by ZEETEQ

THIRD ANGLE PROJECTION	
GENERAL ECCENTRICITY	<input checked="" type="checkbox"/> 0.06

Remove burrs and sharp edges	
DRAWN BY	Joy Zhou
CHECKED BY	
APPROVED BY	
NAME	DATE
Joy Zhou	28Sep07

**Zee-teq**

**7/16, JACK, FLANGE**

**6076.716.JSF.00.230**

SCALE	DO NOT SCALE DRAWING	SIZE	SHEET
2:1		A4	1 of 1

