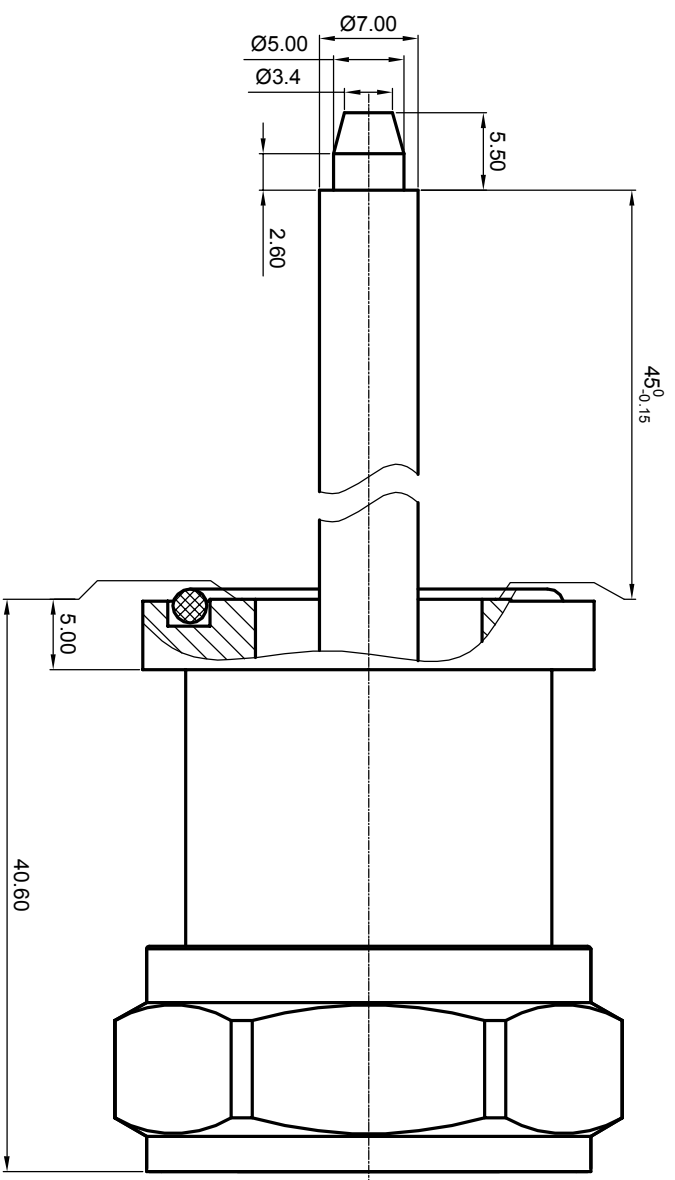
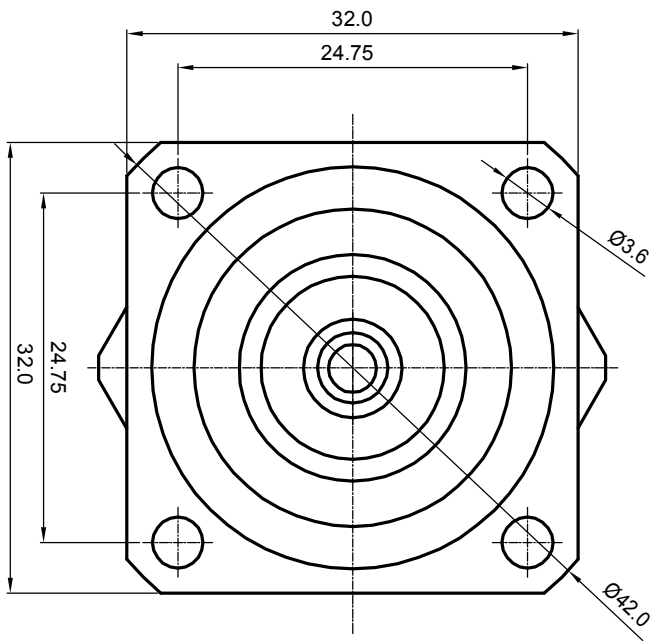


- NOTES: (UNLESS OTHERWISE SPECIFIED)**
- Interface comply with IEC 169-4.
  - Part must be packaged to avoid any damages during transportation.



| REV. | DESCRIPTION                     | APPROVED | DATE    | ECN |
|------|---------------------------------|----------|---------|-----|
| S2   | change dim from 30.60 to 40.60. | Joy zhou | 14Feb08 |     |

|                                      |  |                  |               |   |          |                                      |                     |
|--------------------------------------|--|------------------|---------------|---|----------|--------------------------------------|---------------------|
| MATERIAL<br><b>SEE BOM</b>           |  | TOLERANCES       |               | THIRD ANGLE PROJECTION  |          | TITLE                                |                     |
| FINISH<br><b>SEE BOM</b>             |  | 0place X ±1      | 1place X ±0.1 |   |          | <b>Zee-teq</b><br>7/16, PLUG, FLANGE |                     |
| Remove burrs and sharp edges         |  | 2place .XX ±0.05 | Angle ±5°     | GENERAL ECCENTRICITY <input checked="" type="checkbox"/> 0.25 | NAME     | DATE                                 | DWG NO.             |
| Plating part to be touched by gloves |  |                  |               | DRAWN BY  | Joy zhou | 16Jan08                              | 6143.716.PSF.00.233 |
| Dimension apply before plating       |  | APPROVED BY      |               | CHECKED BY  |          |                                      | REV.                |
| XXX - measuring point for plating    |  |                  |               | APPROVED BY   |          |                                      | S2                  |
| SURFACE                              |  | VOLUME           |               | SCALE   |          | DO NOT SCALE DRAWING                 |                     |
|                                      |  |                  |               | 2:1   |          | SIZE A4                              |                     |
|                                      |  |                  |               | SHEET   |          | 1 of 1                               |                     |

**NOTICE:** Those drawings and specifications are the property of ZEETEQ CORPORATION and used only for the specify purpose authorised by ZEETEQ

