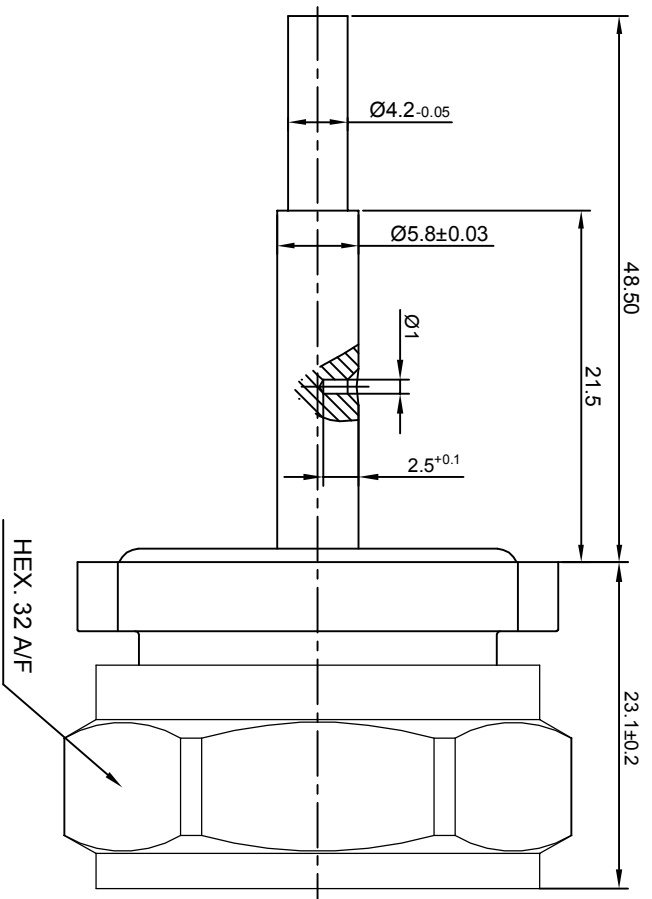
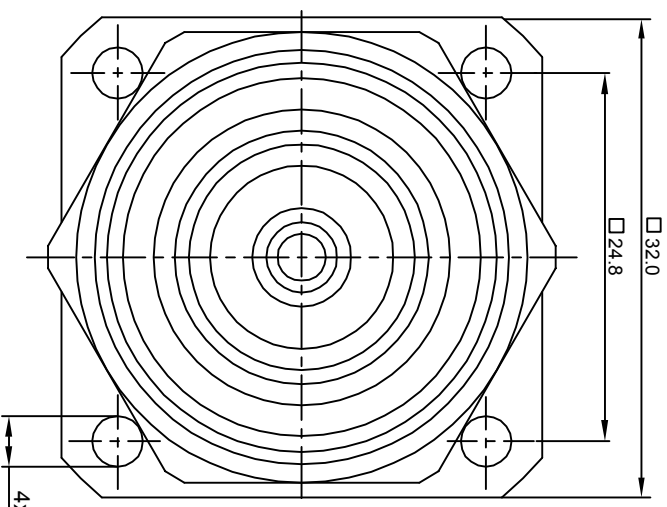


**NOTES: (UNLESS OTHERWISE SPECIFIED)**

1. INTERFACE COMPLY WITH IEC 169-4.
2. PART MUST BE PACKAGED TO AVOID ANY DAMAGES DURING TRANSPORTATION.



REV.	DESCRIPTION	APPROVED	DATE	ECN
A	Rel to production	Johnny	18Oct07	

MATERIAL SEE BOM FOR DETAILS		TOLERANCES		THIRD ANGLE PROJECTION		TITLE													
FINISH SEE BOM FOR DETAILS		Optance X ±1 1place X ±0.1 2place .XX ±0.05 Angle ±5°																	
Plating part to be touched by gloves		Remove burrs and sharp edges		<table border="1"> <tr> <td>GENERAL ECCENTRICITY</td> <td>NAME</td> <td>DATE</td> </tr> <tr> <td>✓ 0.06</td> <td>Joy Zhou</td> <td>01Aug07</td> </tr> </table>		GENERAL ECCENTRICITY	NAME	DATE	✓ 0.06	Joy Zhou	01Aug07	<table border="1"> <tr> <td>DRAWN BY</td> <td>CHECKED BY</td> <td>APPROVED BY</td> </tr> <tr> <td>Joy Zhou</td> <td></td> <td></td> </tr> </table>		DRAWN BY	CHECKED BY	APPROVED BY	Joy Zhou		
GENERAL ECCENTRICITY	NAME	DATE																	
✓ 0.06	Joy Zhou	01Aug07																	
DRAWN BY	CHECKED BY	APPROVED BY																	
Joy Zhou																			
Dimension apply before plating		-0.2 +0.2		<table border="1"> <tr> <td>SCALE</td> <td>DO NOT SCALE DRAWING</td> <td>SIZE</td> <td>SHEET</td> </tr> <tr> <td>5:1</td> <td></td> <td>A4</td> <td>1 of 1</td> </tr> </table>		SCALE	DO NOT SCALE DRAWING	SIZE	SHEET	5:1		A4	1 of 1	<table border="1"> <tr> <td>DWG NO.</td> <td>REV.</td> </tr> <tr> <td>6038.716.PSF.00.233</td> <td>A</td> </tr> </table>		DWG NO.	REV.	6038.716.PSF.00.233	A
SCALE	DO NOT SCALE DRAWING	SIZE	SHEET																
5:1		A4	1 of 1																
DWG NO.	REV.																		
6038.716.PSF.00.233	A																		
XXX - measuring point for plating		<table border="1"> <tr> <td>NOTICE:</td> </tr> <tr> <td>Those drawings and specifications are the property of ZEETEQ CORPORATION and used only for the specify purpose authorised by ZEETEQ</td> </tr> </table>		NOTICE:	Those drawings and specifications are the property of ZEETEQ CORPORATION and used only for the specify purpose authorised by ZEETEQ	<table border="1"> <tr> <td>VOLUME</td> </tr> <tr> <td></td> </tr> </table>		VOLUME		<table border="1"> <tr> <td>REVISIONS</td> </tr> <tr> <td></td> </tr> </table>		REVISIONS							
NOTICE:																			
Those drawings and specifications are the property of ZEETEQ CORPORATION and used only for the specify purpose authorised by ZEETEQ																			
VOLUME																			
REVISIONS																			
SURFACE																			

