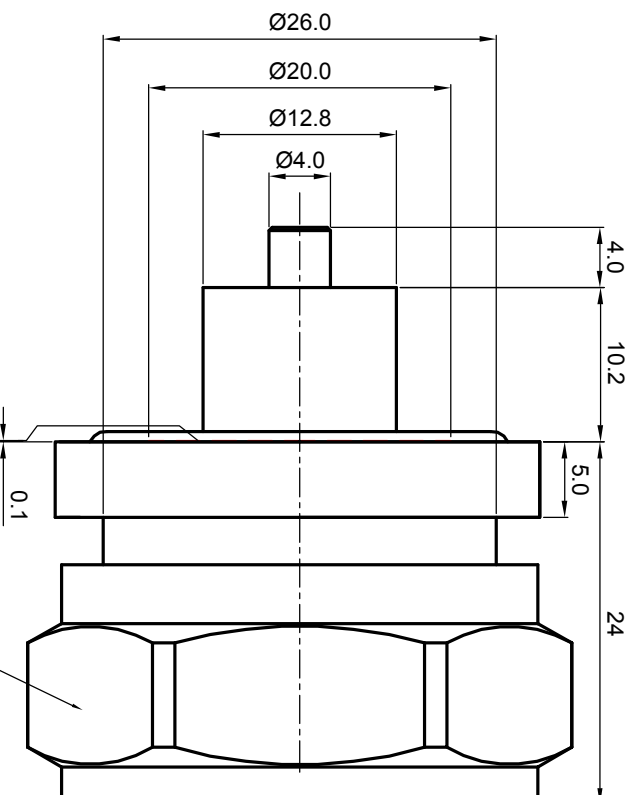
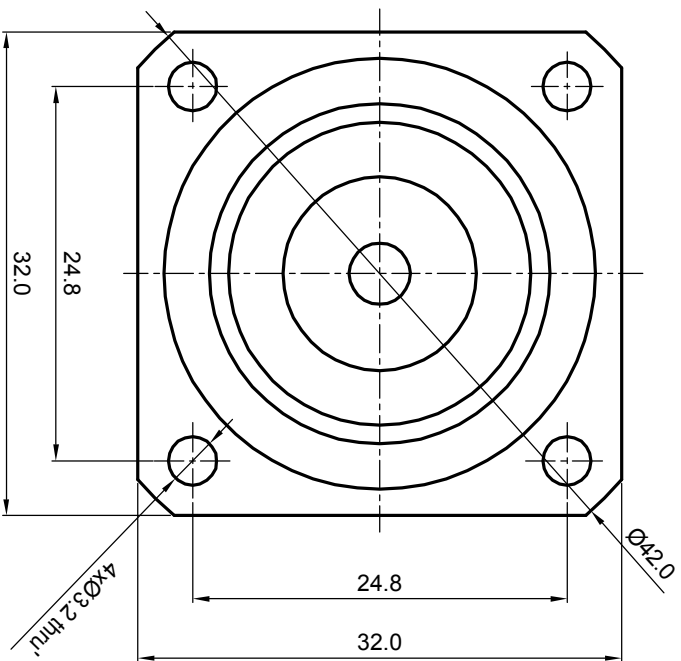


NOTES: (UNLESS OTHERWISE SPECIFIED)

1. Interface according to IEC 169-4
2. Part must be packaged to avoid any damages during transportation.



1.6

REV.	DESCRIPTION	APPROVED	DATE	ECN

MATERIAL		SEE BOM		TOLERANCES		THIRD ANGLE PROJECTION		TITLE	
FINISH		SEE BOM		Opface X ±1 1place X ±0.1 2place XX ±0.05 Angle ±5°				BODY DWG. NO. 6103.716.PSF.00.233	
Plating part to be touched by gloves		Remove burrs and sharp edges		-0.1 +0.1		DRAWN BY Colin 13Nov07		SCALE 2:1 DO NOT SCALE DRAWING	
Dimension apply before plating				GENERAL ECCENTRICITY <input checked="" type="checkbox"/> 100%		CHECKED BY		SIZE A4	
XXX - measuring point for plating		NOTICE: Those drawings and specifications are the property of ZEETEQ CORPORATION and used only for the specify purpose authorised by ZEETEQ		APPROVED BY		DATE		SHEET 1 of 1	
SURFACE		VOLUME		NAME DATE		REV.		S1	

Zeeteq

6103.716.PSF.00.233

S1