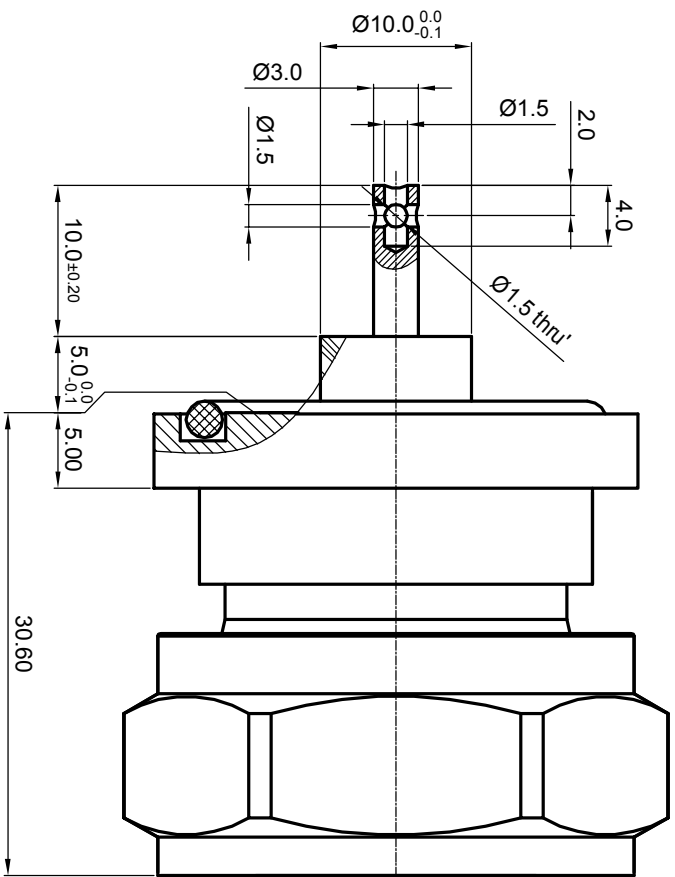
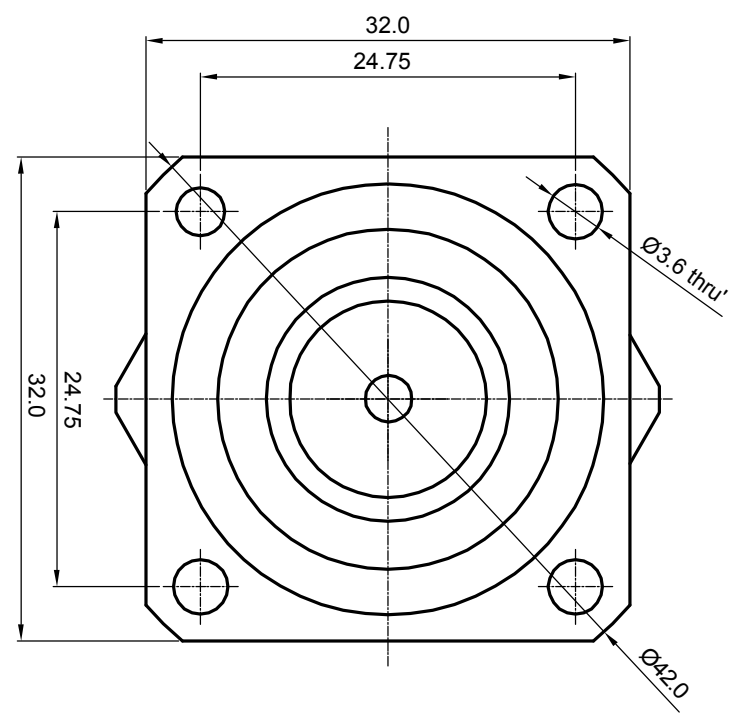


**NOTES: (UNLESS OTHERWISE SPECIFIED)**

1. Interface comply with IEC 169-4.
2. Part must be packaged to avoid any damages during transportation.
3. With a protective cap.



1.6

REV.	DESCRIPTION	APPROVED	DATE	EON

MATERIAL		SEE BOM		THIRD ANGLE PROJECTION		TITLE	
FINISH		SEE BOM		GENERAL ECCENTRICITY		7/16, PLUG, FLANGE	
TOLERANCES		Opface X ±1 1place X ±0.1 2place XX ±0.05 Angle ±5°		NAME COLIN		DATE 13Dec07	
Remove burrs and sharp edges				APPROVED BY		DWG NO.	
Plating part to be touched by gloves				DRAWN BY		6113.716.PSF.00.233	
Dimension apply before plating				CHECKED BY		SCALE	
XXX - measuring point for plating				APPROVED BY		2:1	
SURFACE		VOLUME		NOTICE: Those drawings and specifications are the property of ZEETEQ CORPORATION and used only for the specify purpose authorised by ZEETEQ		DO NOT SCALE DRAWING	
						SIZE	
						A4	
						SHEET	
						1 of 1	
						REV.	
						S1	

**Zeeteq**