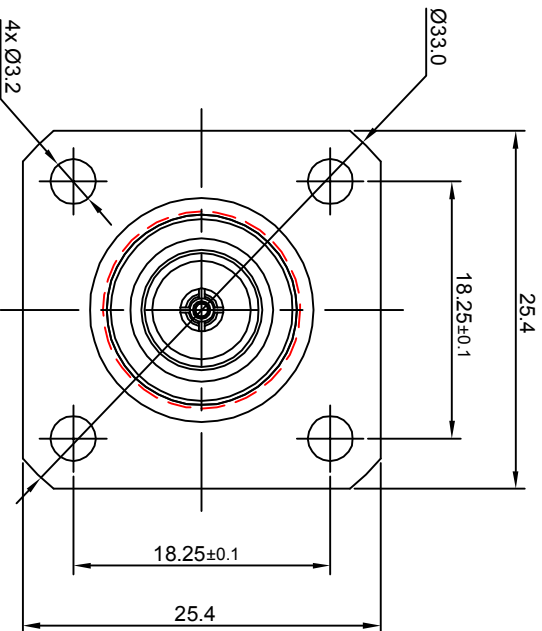
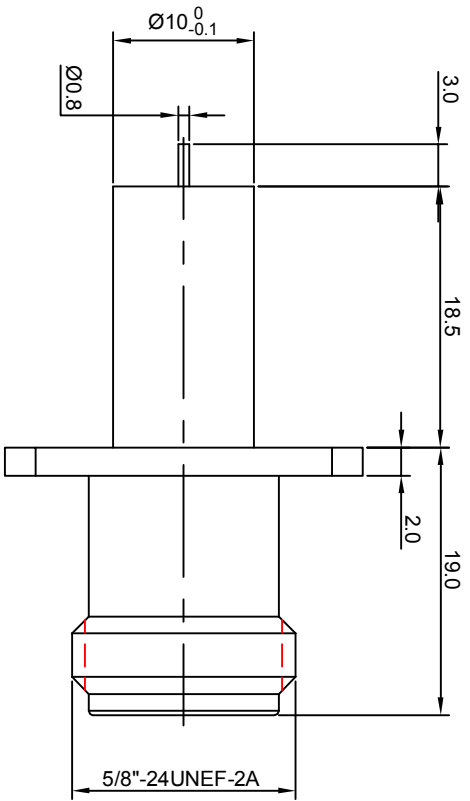


- NOTES: (UNLESS OTHERWISE SPECIFIED)**
1. INTERFACE COMPLY WITH IEC 169-16.
  2. PART MUST BE PACKAGED TO AVOID ANY DAMAGES DURING TRANSPORTATION.



1.6

REV.	DESCRIPTION	APPROVED	DATE	ECN

MATERIAL SEE BOM FOR DETAILS		TOLERANCES 0place X ±1 1place X ±0.1 2place XX ±0.05 Angle 45°		THIRD ANGLE PROJECTION		TITLE N, JACK, FLANGE	
FINISH SEE BOM FOR DETAILS		Remove burrs and sharp edges -0.2 +0.2		GENERAL ECCENTRICITY $\sqrt{0.06}$		Zeeteq	
Plating part to be touched by gloves Dimension apply before plating XXX - measuring point for plating		DRAWN BY Joy Zhou 06Aug07		NAME DATE		DWG NO. 6024.N.JSF.00.230	
SURFACE		CHECKED BY		APPROVED BY		SCALE 5:1	
VOLUME		NOTICE: These drawings and specifications are the property of ZEETEQ CORPORATION and used only for the specify purpose authorised by ZEETEQ		DO NOT SCALE DRAWING		SIZE A4	
						SHEET 1 of 1	
						REV. S1	

1 2 3 4 5 6