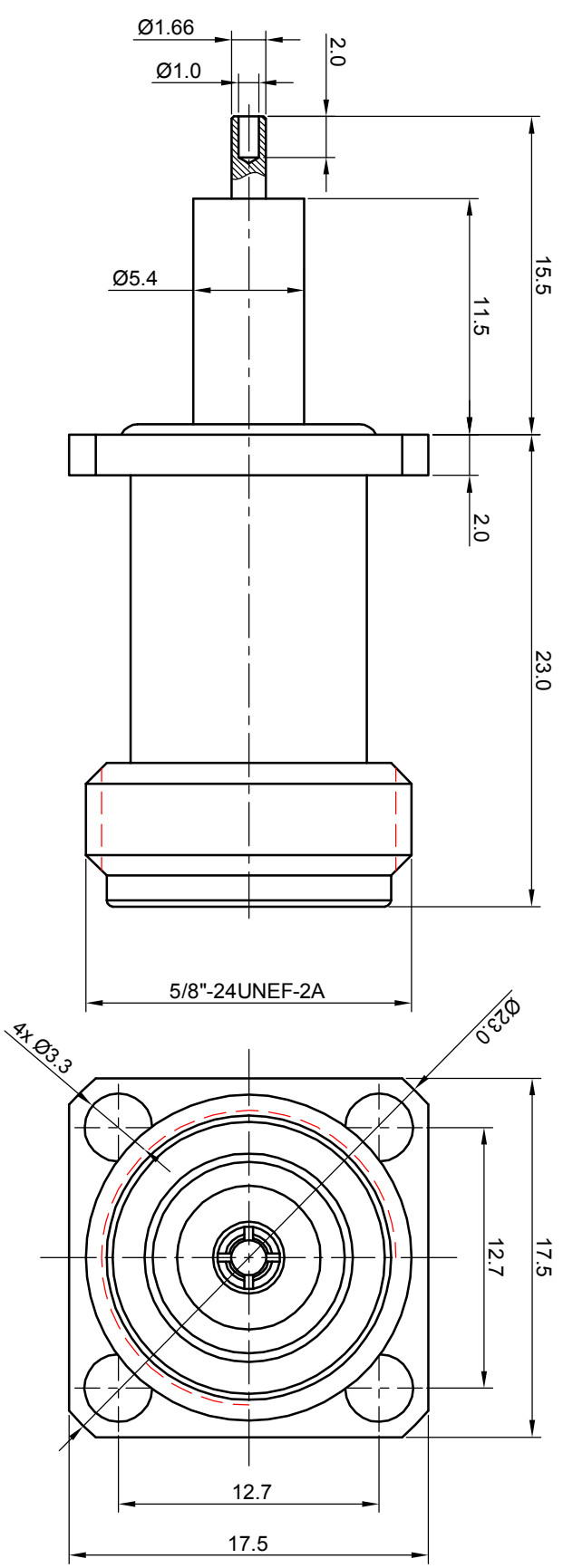


**NOTES: (UNLESS OTHERWISE SPECIFIED)**

- Interface comply with IEC 169-16.
- Part must be packaged to avoid any damages during transportation.



REV.	DESCRIPTION	APPROVED	DATE	ECN

MATERIAL SEE BOM FOR DETAILS		TOLERANCES		THIRD ANGLE PROJECTION		TITLE	
FINISH SEE BOM FOR DETAILS		Oplace X ±1 1place X ±0.1 2place XX ±0.05 Angle ±5°	Remove burrs and sharp edges -0.2 +0.2		GENERAL ECCENTRICITY <input checked="" type="checkbox"/> 0.06	Zeeteq N, JACK, FLANGE	
Plating part to be touched by gloves		DRAWN BY Colin		NAME Colin		DATE 01Feb08	
Dimension apply before plating		CHECKED BY		APPROVED BY		DWG. NO. 6153.N.JSF.00.130	
XXX - measuring point for plating		SURFACE		VOLUME		SCALE 3:1	
DO NOT SCALE DRAWING		SIZE A4		SHEET 1 of 1		REV. S1	

**NOTICE:** Those drawings and specifications are the property of ZEETEQ CORPORATION and used only for the specify purpose authorised by ZEETEQ