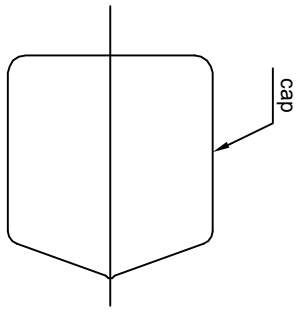
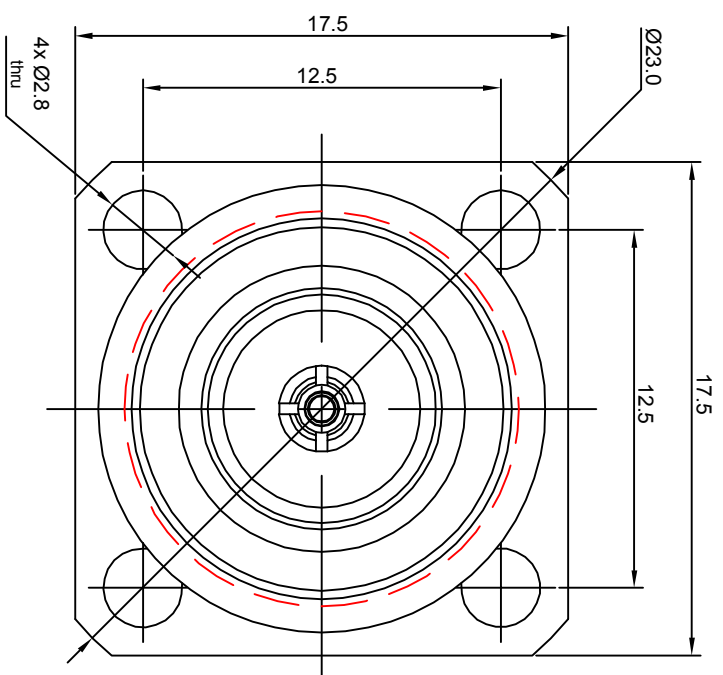
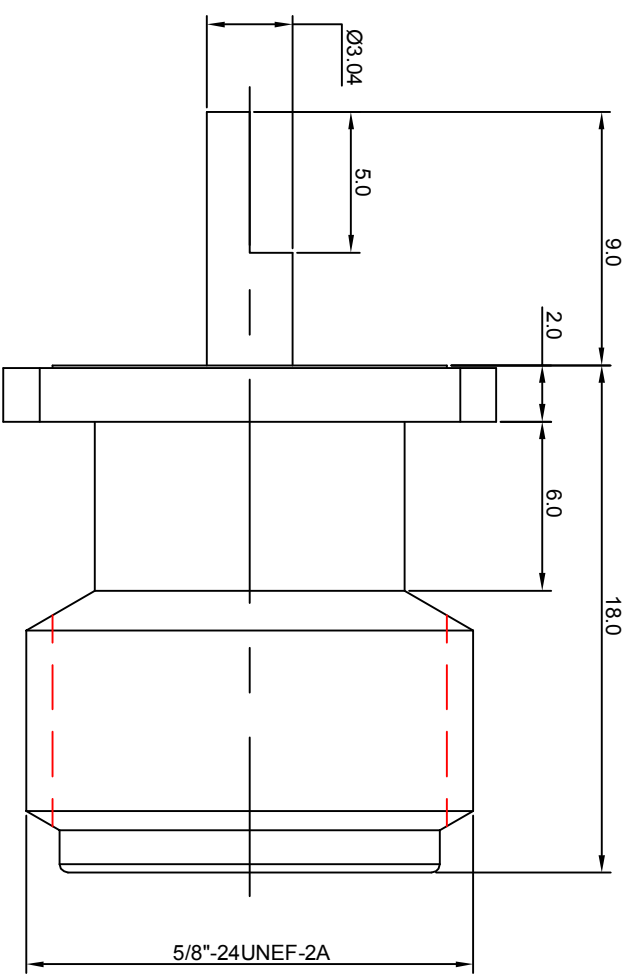


NOTES: (UNLESS OTHERWISE SPECIFIED)

- Interface comply with IEC 169-16.
- Part must be packaged to avoid any damages during transportation.



REV.	DESCRIPTION	APPROVED	DATE	EON

MATERIAL SEE BOM FOR DETAILS	
FINISH SEE BOM FOR DETAILS	
Plating part to be touched by gloves	
Dimension apply before plating	
XXX - measuring point for plating	
SURFACE	VOLUME

TOLERANCES	
0place X ±1	1place X ±0.1
2place .XX ±0.05	Angle ±5°
Remove burrs and sharp edges	

THIRD ANGLE PROJECTION	
GENERAL ECCENTRICITY	<input checked="" type="checkbox"/> 0.06
DRAWN BY	Joy Zhou
CHECKED BY	
APPROVED BY	
NAME	DATE
	16Aug07

TITLE N, JACK, FLANGE	
DWG NO. 60440.N.JSF.00.130	
SCALE 4:1	
DO NOT SCALE DRAWING	
SIZE A4	SHEET 1 of 1
REV. S1	

