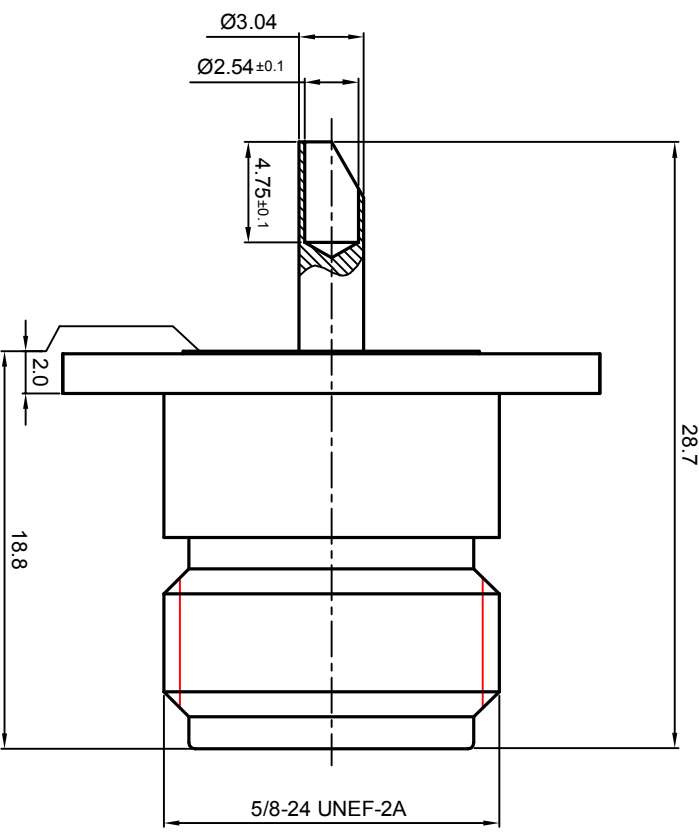
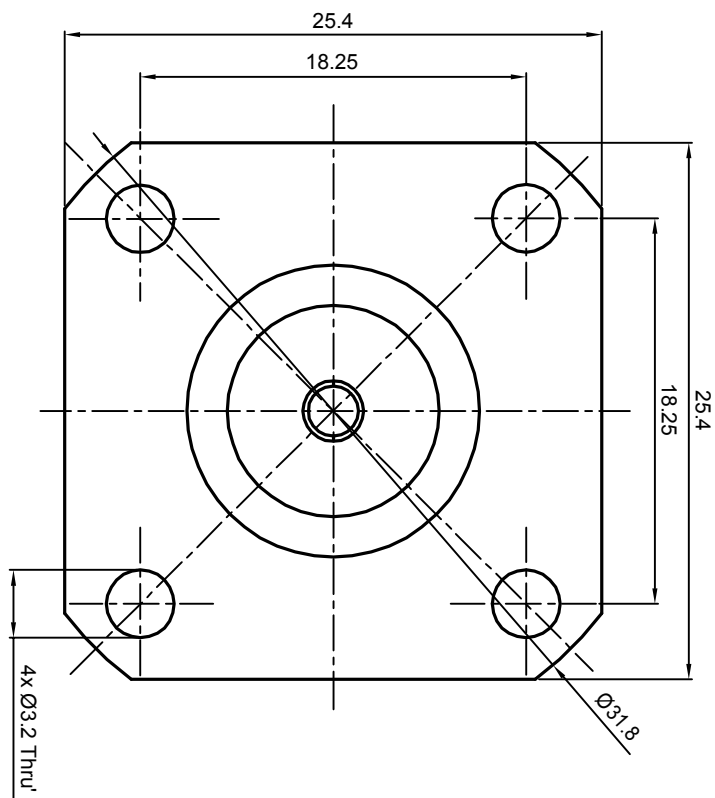


NOTES: (UNLESS OTHERWISE SPECIFIED)

1. Interface according to IEC169-16.
2. With a protective cap.
3. Part must be packaged to avoid any damages during transportation.



1.6

REV.	DESCRIPTION	APPROVED	DATE	ECN

MATERIAL		SEE BOM		TOLERANCES		THIRD ANGLE PROJECTION		TITLE	
FINISH		SEE BOM		Optance X ±1 1place X ±0.1 2place .XX ±0.05 Angle ±5°				Zeeteq	
Plating part to be touched by gloves		Remove burrs and sharp edges		GENERAL ECCENTRICITY <input checked="" type="checkbox"/> 0.06		NAME DATE Collin 07Aug07		N,JACK,FLANGE	
Dimension apply before plating				DRAWN BY		CHECKED BY		DWG NO. 6026.N.JSF.00.130	
XXX - measuring point for plating				APPROVED BY		SCALE 3:1		DO NOT SCALE DRAWING	
SURFACE		VOLUME		NOTICE: Those drawings and specifications are the property of ZEETEQ CORPORATION and used only for the specify purpose authorised by ZEETEQ		SIZE A4		SHEET 1 of 1	