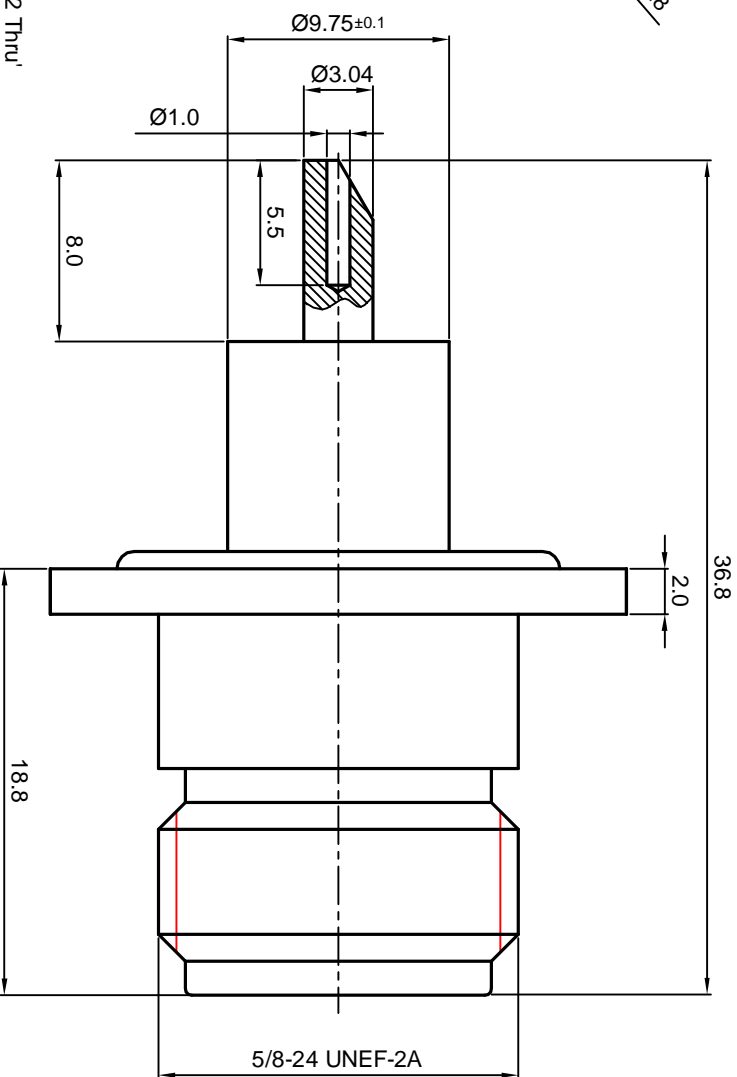
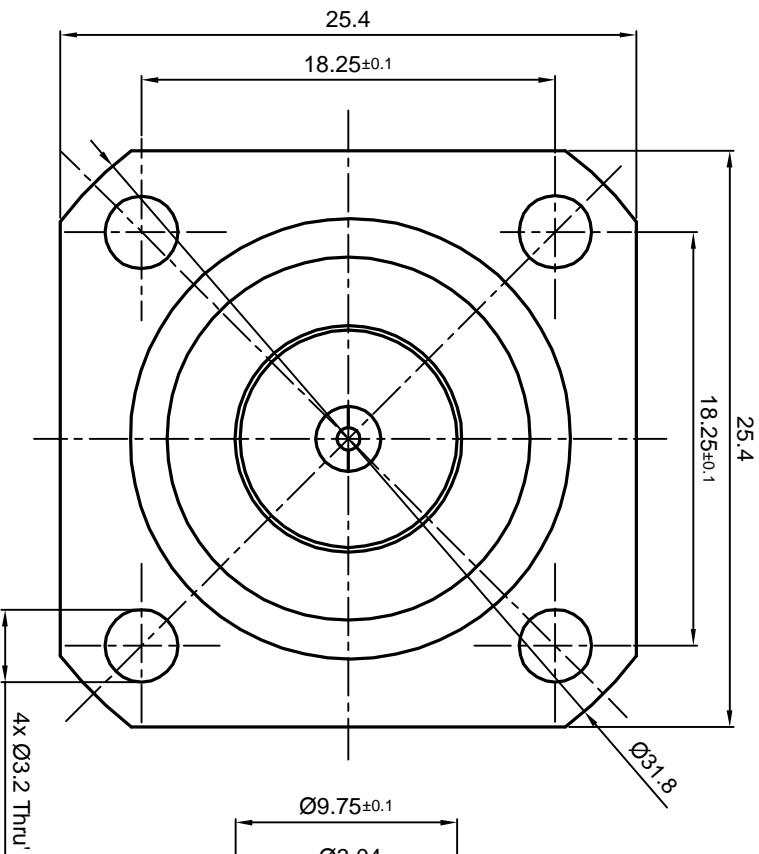


NOTES: (UNLESS OTHERWISE SPECIFIED)

1. Mating according to IEC:169-16.
2. With a protective cap.



MATERIAL		SEE BOM		THIRD ANGLE PROJECTION		TITLE	
FINISH		SEE BOM					
TOLERANCES		Oplate X ±1 1place X ±0.1 2place XX ±0.05 Angle ±5°		GENERAL ECCENTRICITY <input checked="" type="checkbox"/> 0.06		DWG. NO. 6008.N.JSF.00.130	
Remove burrs and sharp edges				NAME Colin		DATE 30Jul07	
Plating part to be touched by gloves		DRAWN BY		CHECKED BY		APPROVED BY	
Dimension apply before plating		APPROVED BY		SCALE		DO NOT SCALE DRAWING	
XXX - measuring point for plating		SURFACE		VOLUME		SIZE	
NOTICE: Those drawings and specifications are the property of ZEETEQ CORPORATION and used only for the specify purpose authorised by ZEETEQ		REV.		SHEET		1 of 1	
REV.		S1		A4		A4	

REV.	DESCRIPTION	APPROVED	DATE	ECN