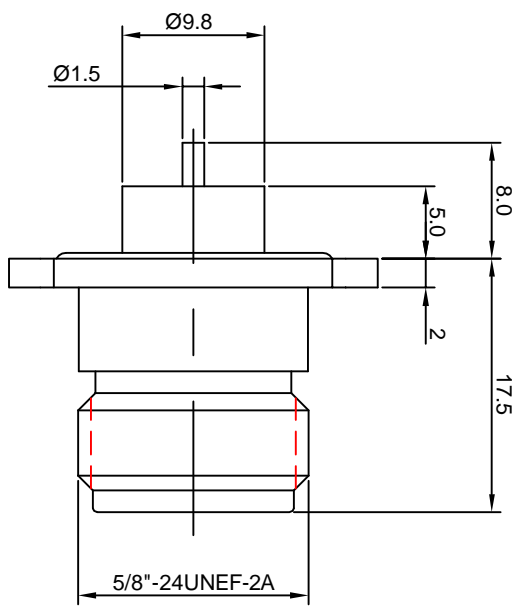
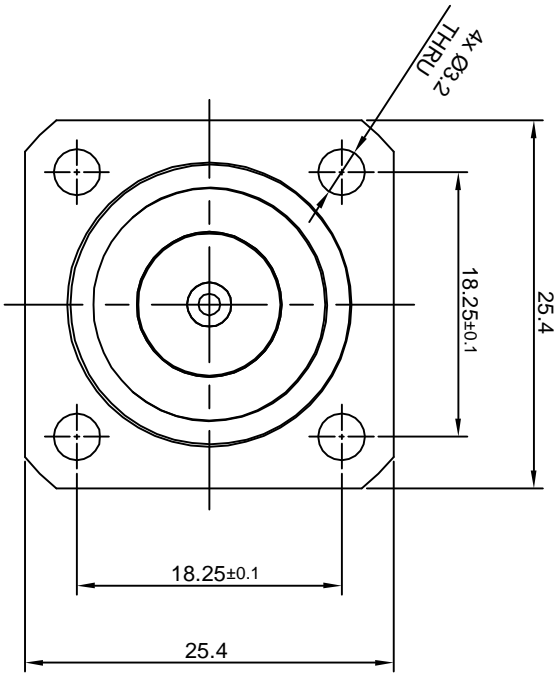


- NOTES: (UNLESS OTHERWISE SPECIFIED)**
1. INTERFACE COMPLY WITH IEC 169-16.
  2. PART MUST BE PACKAGED TO AVOID ANY DAMAGES DURING TRANSPORTATION.



REV.	DESCRIPTION	APPROVED	DATE	ECN

MATERIAL <b>SEE BOM FOR DETAILS</b>		TOLERANCES		THIRD ANGLE PROJECTION		TITLE	
FINISH <b>SEE BOM FOR DETAILS</b>		0place X ±1 1place .X ±0.1 2place .XX ±0.05 Angle ±5°					
Plating part to be touched by gloves		Remove burrs and sharp edges		DRAWN BY		NAME	
Dimension apply before plating				Joy Zhou		DATE	
XXX - measuring point for plating		APPROVED BY		01 Aug 07		DWG NO.	
SURFACE		VOLUME		6011.N.JSF.00.230		REV.	
				SCALE		SIZE	
				2:1		A4	
				DO NOT SCALE DRAWING		SHEET	
						1 of 1	

**NOTICE:** Those drawings and specifications are the property of ZEETEQ CORPORATION and used only for the specify purpose authorised by ZEETEQ