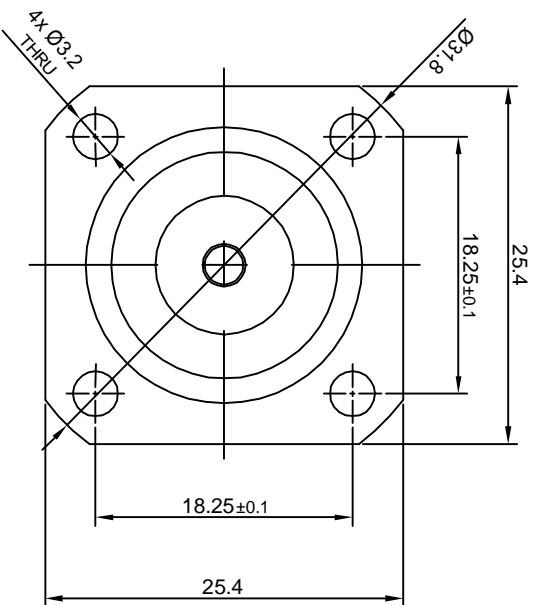
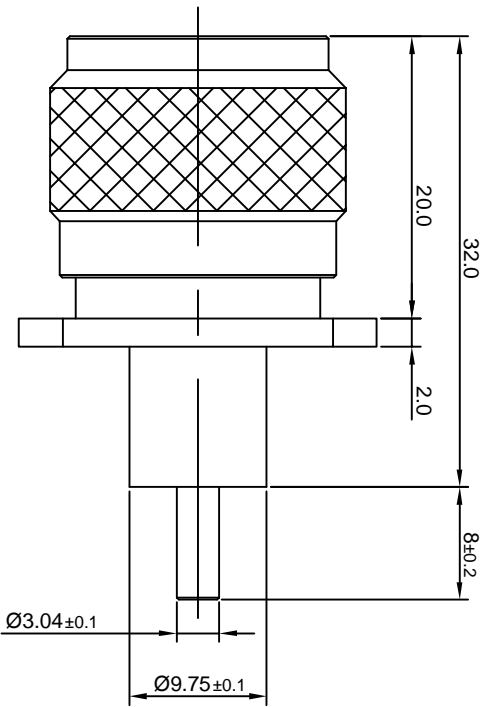


- NOTES: (UNLESS OTHERWISE SPECIFIED)**
1. INTERFACE COMPLY WITH IEC 169-16.
 2. PART MUST BE PACKAGED TO AVOID ANY DAMAGES DURING TRANSPORTATION.



1.6

REV.	DESCRIPTION	APPROVED	DATE	EN

MATERIAL SEE BOM FOR DETAILS		TOLERANCES		THIRD ANGLE PROJECTION		Zeeteq	
FINISH SEE BOM FOR DETAILS		0place X ±1 1place X ±0.1 2place .XX ±0.05 Angle ±5°				TITLE N, PLUG, FLANGE	
Plating part to be touched by gloves		Remove burrs and sharp edges		GENERAL ECCENTRICITY $\sqrt{0.06}$		DIMG NO. 6007.N. PSF.00.133	
Dimension apply before plating				DRAWN BY Joy Zhou 30JUL07		SCALE 2:1	
XXX - measuring point for plating				CHECKED BY		DO NOT SCALE DRAWING	
SURFACE		APPROVED BY		NAME		SIZE A4	
VOLUME		DATE		DATE		SHEET 1 of 1	
NOTICE: Those drawings and specifications are the property of ZEETEQ CORPORATION and used only for the specify purpose authorised by ZEETEQ		REV.		REV.		REV.	

1 2 3 4 5 6