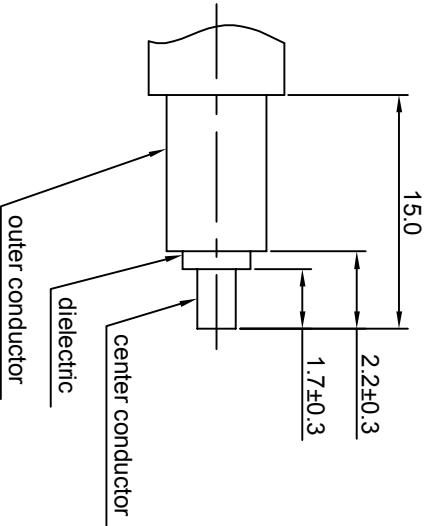
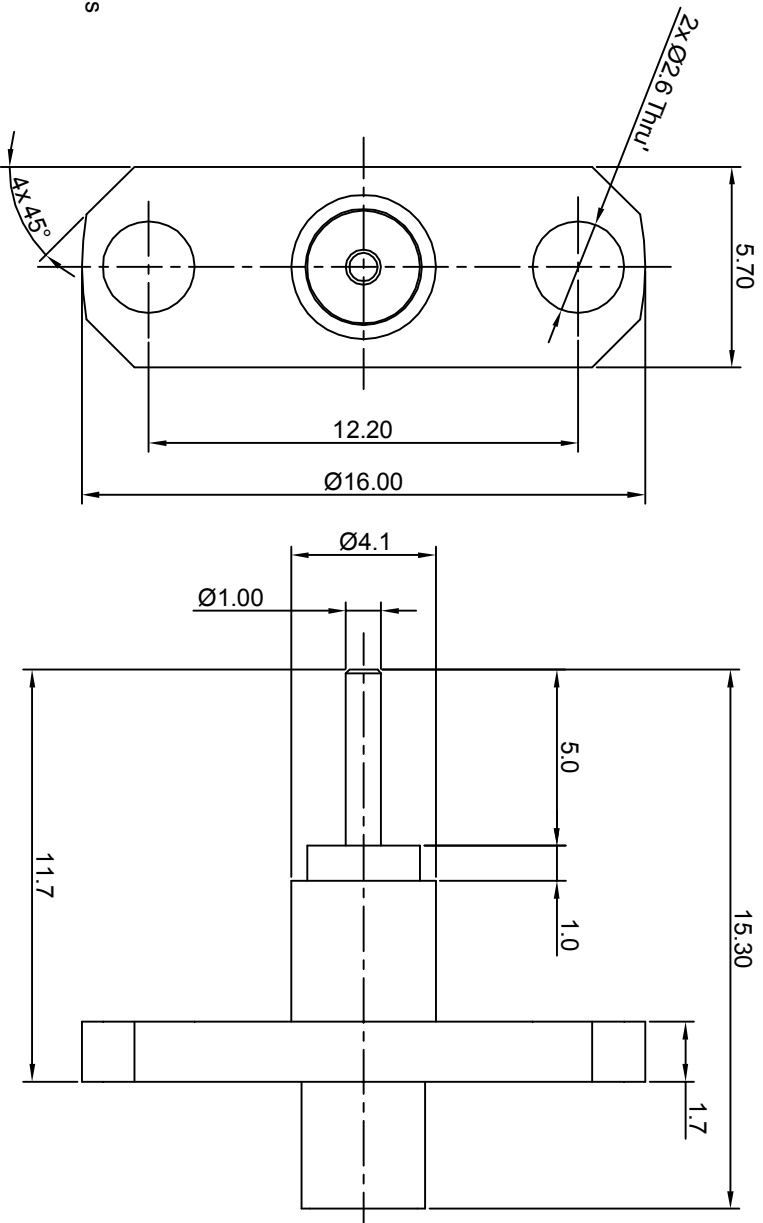


NOTES: (UNLESS OTHERWISE SPECIFIED)
 1. PART MUST BE PACKAGED TO AVOID ANY DAMAGES DURING TRANSPORTATION.



REV.	DESCRIPTION	APPROVED	DATE	E/CN
A	Rel To Production	Johnny	01 Jul08	E/CN_08_023

MATERIAL SEE BOM FOR DETAILS		THIRD ANGLE PROJECTION		TITLE Zeeteq	
FINISH SEE BOM FOR DETAILS		GENERAL ECCENTRICITY $\sqrt{0.06}$		DWG NO. 6022.TMN.OSC.02.110	
TOLERANCES Oplace X ±1 1place X ±0.1 2place .XX ±0.05 Angle ±5°		NAME Collin		DATE 30Aug07	
Plating part to be touched by gloves		DRAWN BY		CHECKED BY	
Dimension apply before plating		APPROVED BY		APPROVED BY	
XXX - measuring point for plating		NOTICE: Those drawings and specifications are the property of ZEETEQ CORPORATION and used only for the specify purpose authorised by ZEETEQ		SCALE 5:1	
SURFACE		VOLUME		DO NOT SCALE DRAWING	
				SIZE A4	
				SHEET 1 of 1	
				REV. A	

