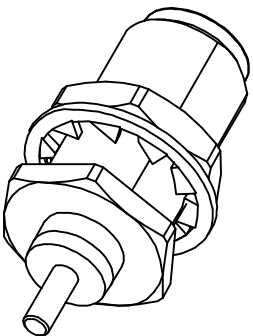
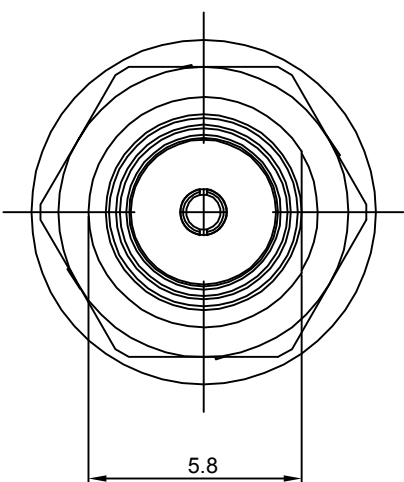
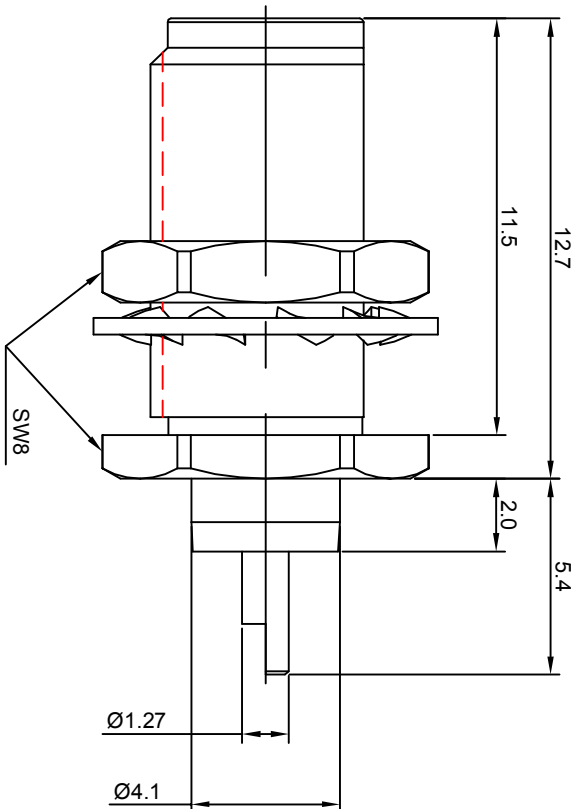


**NOTES: (UNLESS OTHERWISE SPECIFIED)**

1. Interface comply with IEC 169-15.
2. Part must be packaged to avoid any damages during transportation.



REV.	DESCRIPTION	APPROVED	DATE	ECN



MATERIAL <b>SEE BOM FOR DETAILS</b>		TOLERANCES		THIRD ANGLE PROJECTION		TITLE	
FINISH <b>SEE BOM FOR DETAILS</b>		Op place X ±1 1 place .X ±0.1 2 place XX ±0.05 Angle ±5°					
Plating part to be touched by gloves		Remove burrs and sharp edges		GENERAL ECCENTRICITY <input checked="" type="checkbox"/> 0.06		SMA, JACK, BULKHEAD	
Dimension apply before plating				DRAWN BY NAME DATE Joy Zhou 14Aug07		DWG NO. 6045.SMA.JSB.00.111	
XXX - measuring point for plating		APPROVED BY		CHECKED BY		REV. S1	
SURFACE		VOLUME		<p><b>NOTICE:</b> Those drawings and specifications are the property of ZEETEQ CORPORATION and used only for the specify purpose authorised by ZEETEQ</p>		SCALE 5:1	
						DO NOT SCALE DRAWING	
						SIZE A4	
						SHEET 1 OF 1	

1 2 3 4 5 6