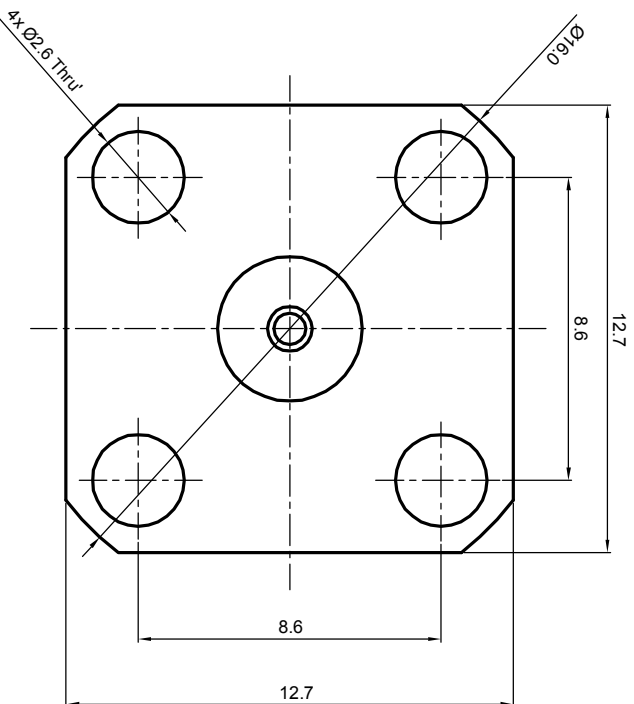
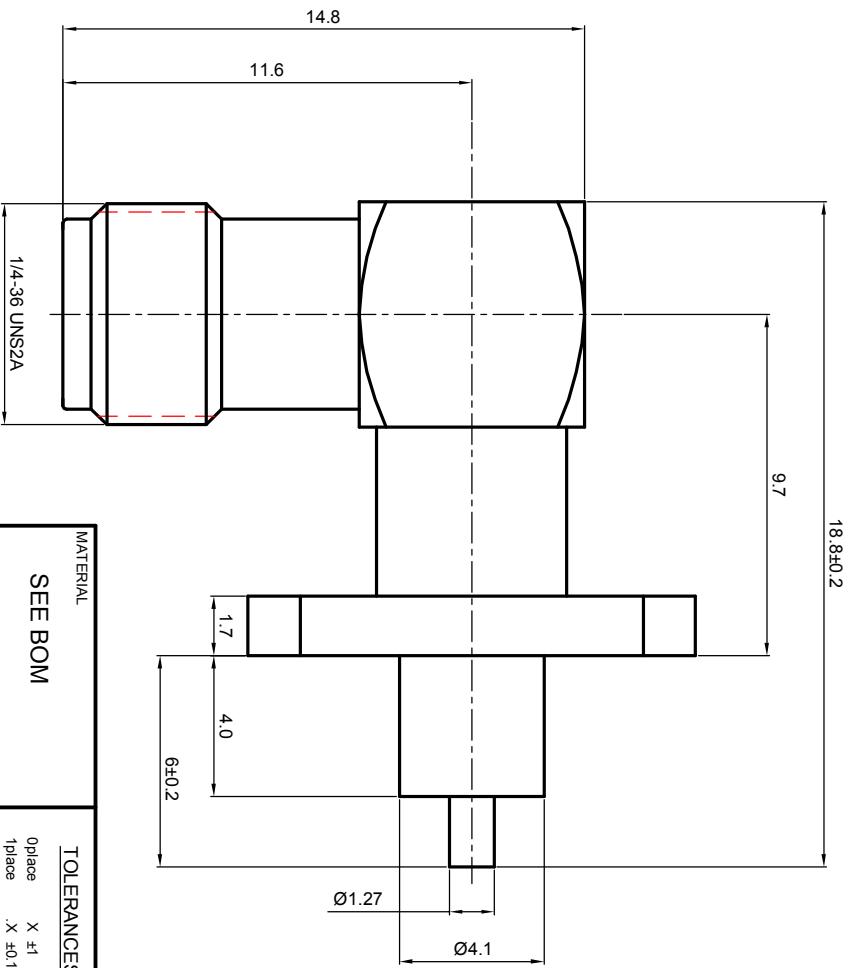


**NOTES: (UNLESS OTHERWISE SPECIFIED)**

1. Interface according to IEC169-15.
2. With a protective cap.
3. Part must be packaged to avoid any damages during transportation.



REV.	DESCRIPTION	APPROVED	DATE	EN

MATERIAL		SEE BOM		TOLERANCES		THIRD ANGLE PROJECTION		TITLE	
FINISH		SEE BOM		Remove burrs and sharp edges		GENERAL ECCENTRICITY <input checked="" type="checkbox"/> $Z_{1/100}$		SMA, JACK, Flange	
Plating part to be touched by gloves		Oplace X ±1		-0.1		NAME		DIMG NO.	
Dimension apply before plating		1place X ±0.1		+0.1		Joy		6048.SMA.JRF.00.110	
XXX - measuring point for plating		2place XX ±0.05		45°		DATE		REV.	
SURFACE		VOLUME		NOTICE: Those drawings and specifications are the property of ZEETEQ CORPORATION and used only for the specify purpose authorised by ZEETEQ		31Aug07		S1	
SCALE		DO NOT SCALE DRAWING		SIZE		SHEET			
5:1				A4		1 of 1			

**Zeeteq**

**SMA, JACK, Flange**

**6048.SMA.JRF.00.110 S1**

SCALE 5:1 DO NOT SCALE DRAWING SIZE A4 SHEET 1 of 1