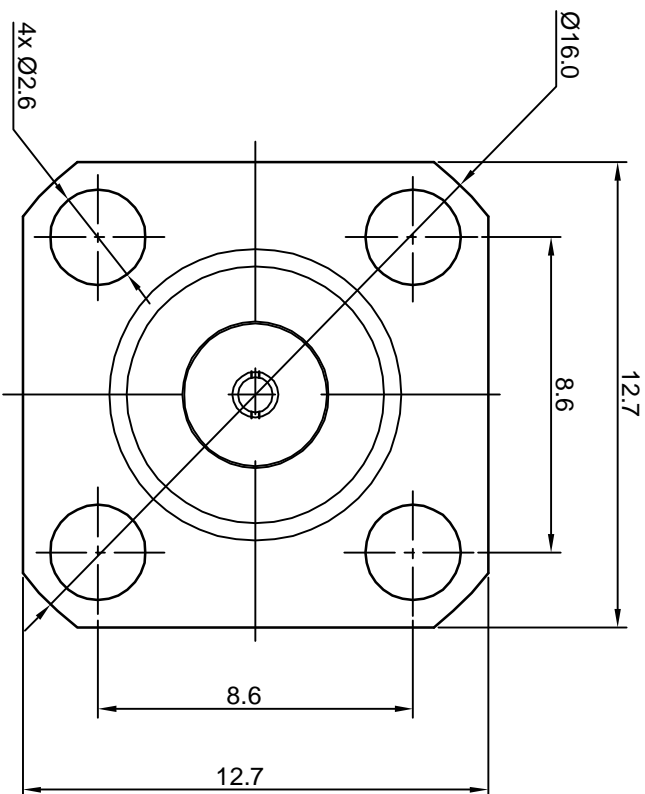
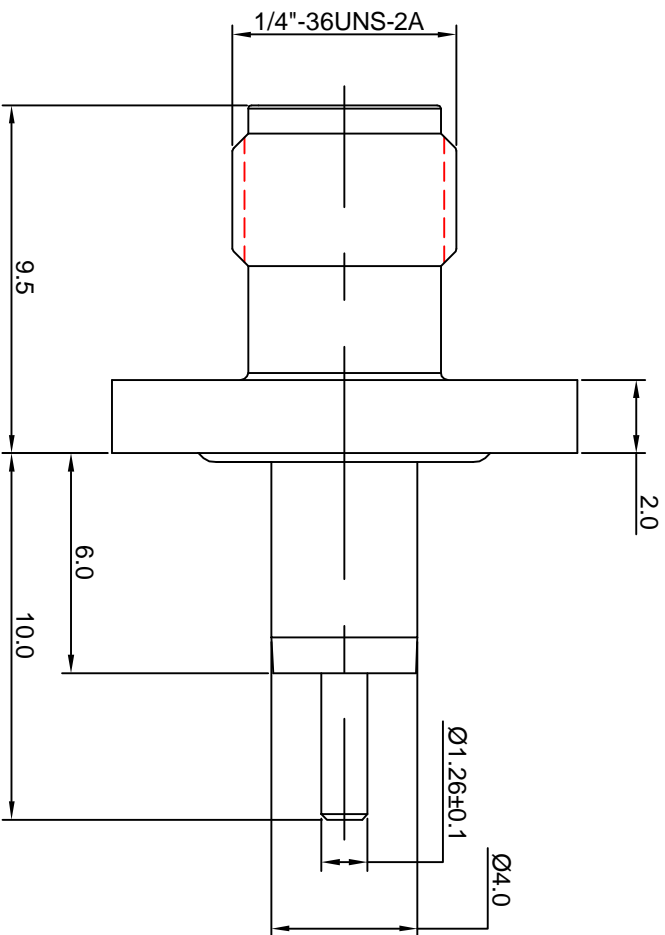


NOTES: (UNLESS OTHERWISE SPECIFIED)

1. INTERFACE COMPLY WITH IEC 169-15.
2. PART MUST BE PACKAGED TO AVOID ANY DAMAGES DURING TRANSPORTATION.



REV.	DESCRIPTION	APPROVED	DATE	ECN

MATERIAL SEE BOM FOR DETAILS		TOLERANCES Otolace X ±1 1place X ±0.1 2place .XX ±0.05 Angle ±5°		THIRD ANGLE PROJECTION 		TITLE Zeeteq	
FINISH SEE BOM FOR DETAILS		Remove burrs and sharp edges 		GENERAL ECCENTRICITY 0.06		DRAWN BY Colin 11 Sep07	
SEE BOM FOR DETAILS		Plating part to be touched by gloves		NAME Johnny		DATE 11 Sep07	
Dimension apply before plating		XXX - measuring point for plating		CHECKED BY Joy Zhou		DATE 11 Sep07	
SURFACE		VOLUME		APPROVED BY Johnny		DATE 11 Sep07	
NOTICE: Those drawings and specifications are the property of ZEETEQ CORPORATION and used only for the specify purpose authorised by ZEETEQ		DWG NO. 6064.SMA.JSF.00.110		SCALE 5:1		DO NOT SCALE DRAWING	
						SIZE A4	
						SHEET 1 of 1	
						REV. S1	