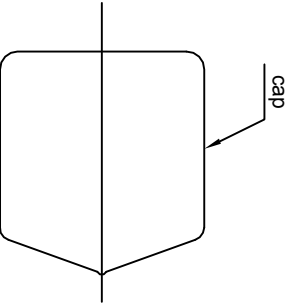
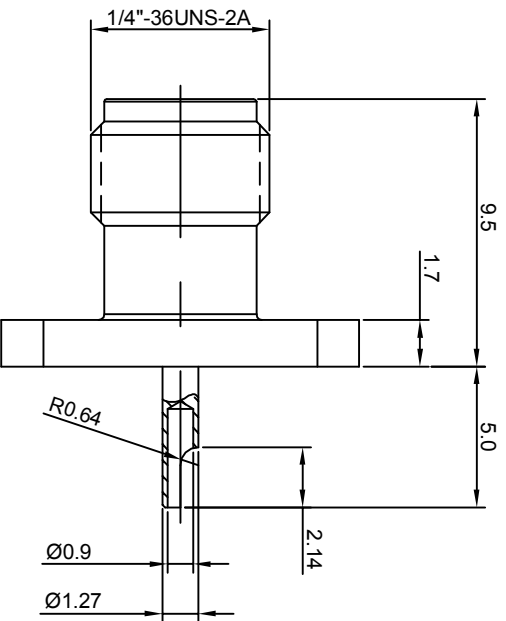
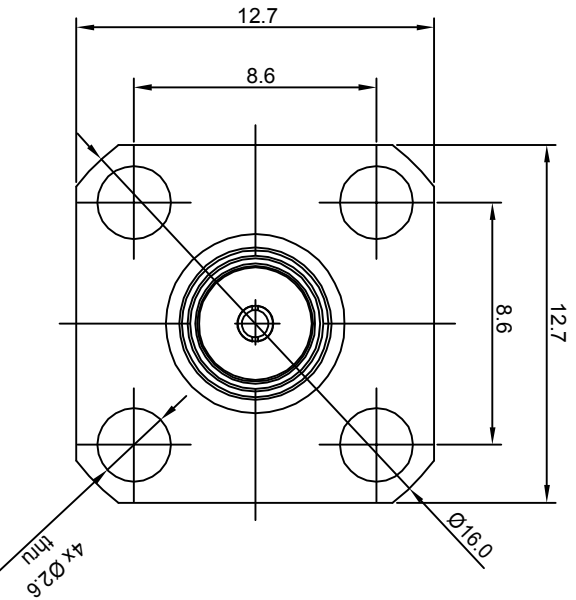


NOTES: (UNLESS OTHERWISE SPECIFIED)

1. Interface comply with IEC 169-15.
2. Part must be packaged to avoid any damages during transportation.



REV.	DESCRIPTION	APPROVED	DATE	ECN

MATERIAL SEE BOM FOR DETAILS		TOLERANCES		THIRD ANGLE PROJECTION		TITLE											
FINISH SEE BOM FOR DETAILS		<table border="1"> <tr> <td>Optical</td> <td>X ±1</td> </tr> <tr> <td>1place</td> <td>X ±0.1</td> </tr> <tr> <td>2place</td> <td>.XX ±0.05</td> </tr> <tr> <td>Angle</td> <td>±5°</td> </tr> </table>		Optical	X ±1	1place	X ±0.1	2place	.XX ±0.05	Angle	±5°			GENERAL ECCENTRICITY <input checked="" type="checkbox"/> 0.06		Zeeteq	
Optical	X ±1																
1place	X ±0.1																
2place	.XX ±0.05																
Angle	±5°																
Remove burrs and sharp edges 		DRAWN BY Joy Zhou		NAME Joy Zhou		DATE 15Aug07											
Plating part to be touched by gloves Dimension apply before plating XXX - measuring point for plating		CHECKED BY		APPROVED BY		DWG NO. 5974.SMA.JSF.00.110											
SURFACE		VOLUME		NOTICE: Those drawings and specifications are the property of ZEETEQ CORPORATION and used only for the specify purpose authorised by ZEETEQ		SCALE 4:1											
						DO NOT SCALE DRAWING											
						SIZE A4											
						SHEET 1 of 1											
						REV. S1											

