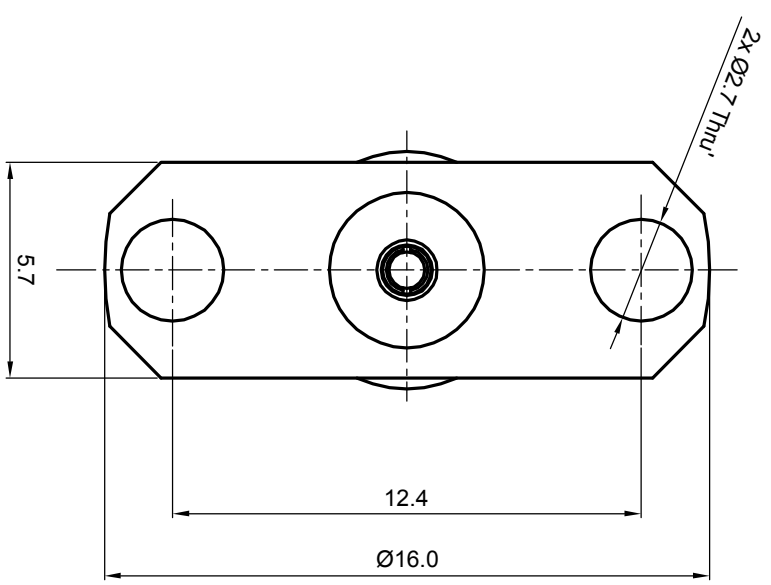
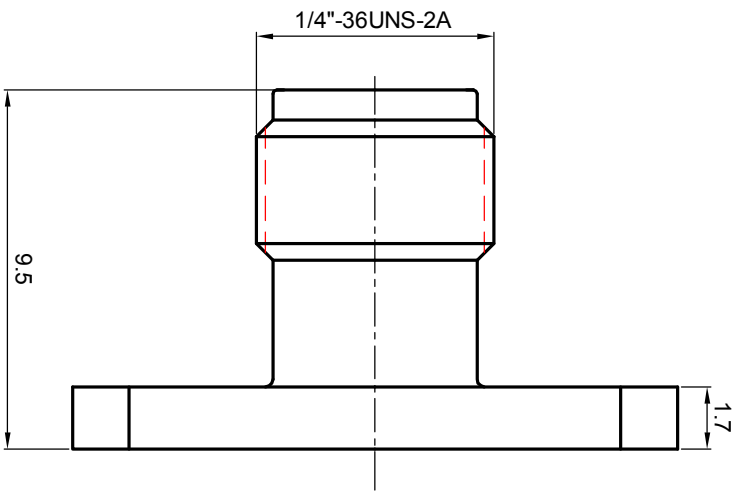
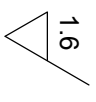




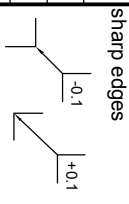
NOTES: (UNLESS OTHERWISE SPECIFIED)

1.  Interface according to IEC 169-15
2. With a protective cap.
3. Part must be packaged to avoid any damages during transportation.



REV.	DESCRIPTION	APPROVED	DATE	EON



MATERIAL		SEE BOM		THIRD ANGLE PROJECTION		TITLE	
FINISH		SEE BOM					
TOLERANCES		Oplate X ±1 1place X ±0.1 2place XX ±0.05 Angle ±5°		GENERAL ECCENTRICITY <input checked="" type="checkbox"/> Z1008		DWG. NO. 6073.SMA.JSF.00.110	
Remove burrs and sharp edges				DRAWN BY Colin 21Sep07		SMA, JACK, FLANGE	
Plating part to be touched by gloves		CHECKED BY Walter 21Sep07		APPROVED BY Johnny 21Sep07		SCALE 2:1	
Dimension apply before plating		SURFACE		REV. S1		DO NOT SCALE DRAWING	
XXX - measuring point for plating		VOLUME		SHEET 1 of 1		SIZE A4	

NOTICE: Those drawings and specifications are the property of ZEETEQ CORPORATION and used only for the specify purpose authorised by ZEETEQ