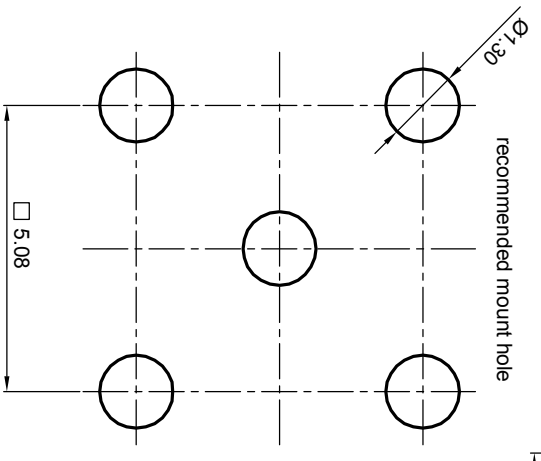
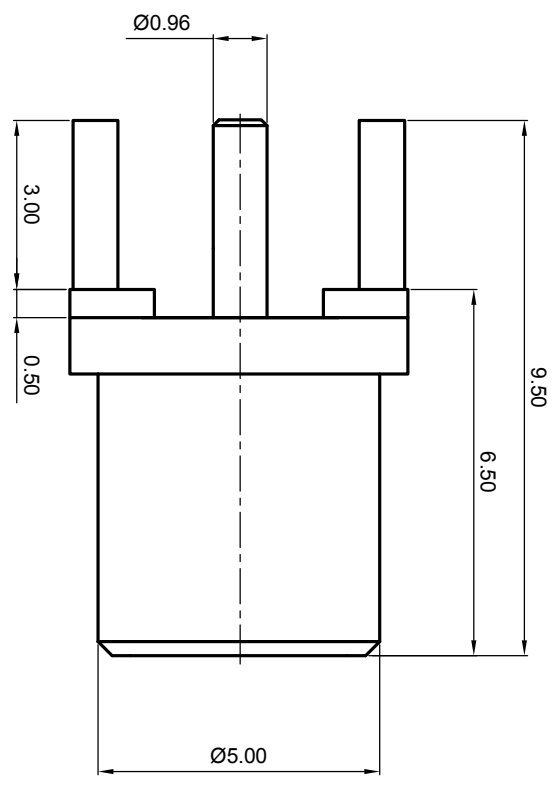
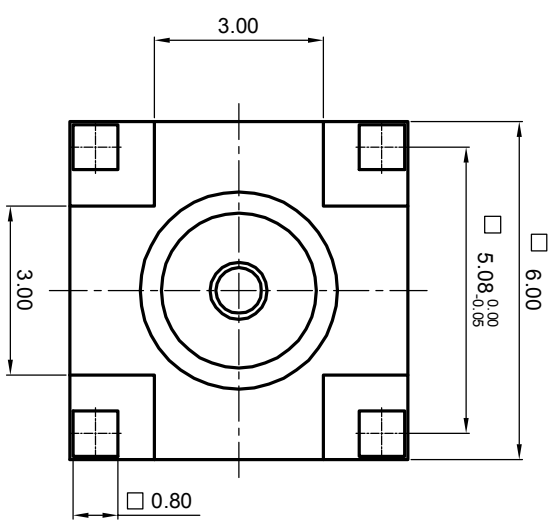


- NOTES: (UNLESS OTHERWISE SPECIFIED)**
- Interface comply with IEC 169-36.
  - Part must be packaged to avoid any damages during transportation.



REV.	DESCRIPTION	APPROVED	DATE	ECN

MATERIAL SEE BOM		THIRD ANGLE PROJECTION		TITLE <b>Zee-teq</b>	
FINISH SEE BOM		GENERAL ECCENTRICITY [Z1028]		DWG NO. 6091.MCX.JST.00.110	
Plating part to be touched by gloves		NAME Joy Zhou		DATE 02Nov07	
Dimension apply before plating		CHECKED BY		SCALE 2:1	
XXX - measuring point for plating		APPROVED BY		DO NOT SCALE DRAWING	
SURFACE		VOLUME		SIZE A4	
NOTICE: Those drawings and specifications are the property of ZEEITEQ CORPORATION and used only for the specify purpose authorised by ZEEITEQ		TOLERANCES Oplace X ±1 1place X ±0.1 2place .XX ±0.05 Angle ±5°		SHEET 1 of 1	
Remove burrs and sharp edges		DRAWN BY Joy Zhou		REV. S1	
Plating part to be touched by gloves		DATE 02Nov07			
Dimension apply before plating					
XXX - measuring point for plating					

