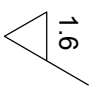
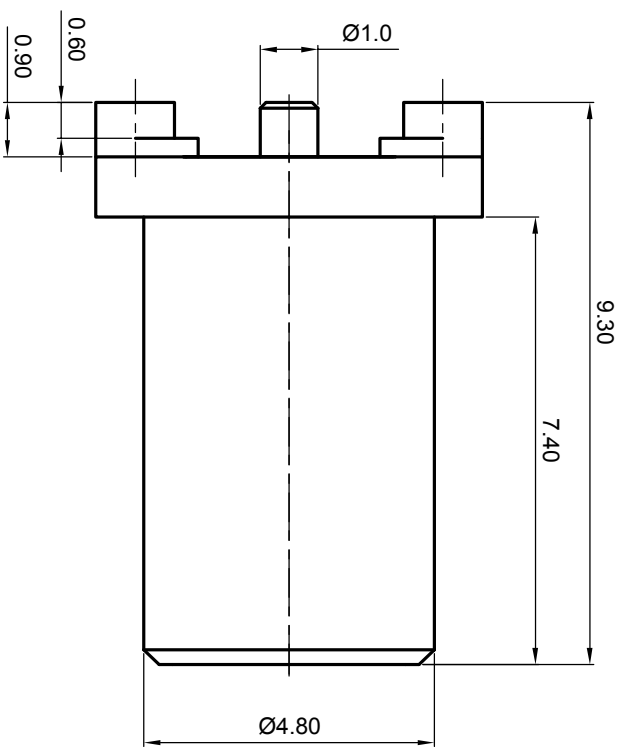
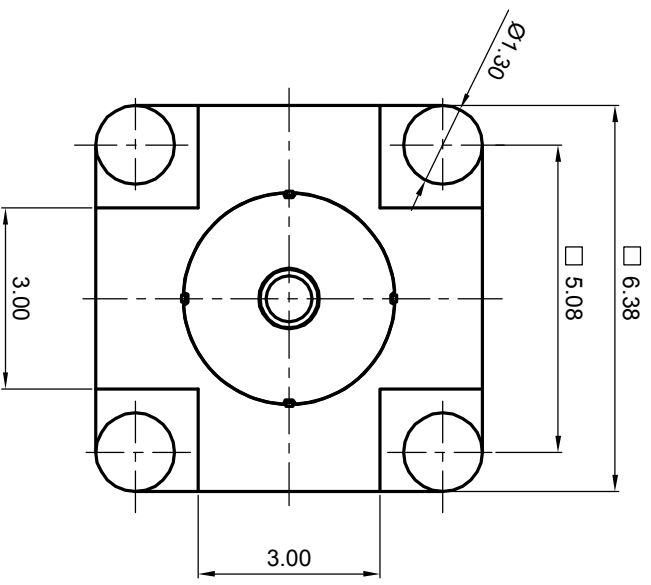


NOTES: (UNLESS OTHERWISE SPECIFIED)

- Interface comply with IEC 169-36.
- Part must be packaged to avoid any damages during transportation.



REV.	DESCRIPTION	APPROVED	DATE	EON

MATERIAL SEE BOM		THIRD ANGLE PROJECTION		TITLE Zeeteq	
FINISH SEE BOM		GENERAL ECCENTRICITY <input checked="" type="checkbox"/> $\pm 100\%$		DWG NO. 6141.MCX.JST.00.110	
TOLERANCES Oplace X ± 1 1place X ± 0.1 2place XX ± 0.05 Angle $\pm 5^\circ$		DRAWN BY Colin		DATE 10Jan08	
Remove burrs and sharp edges		CHECKED BY		APPROVED BY	
Plating part to be touched by gloves		NAME		REV.	
Dimension apply before plating		DATE		S1	
XXX - measuring point for plating		APPROVED BY		SCALE 2:1	
SURFACE		VOLUME		DO NOT SCALE DRAWING	
				SIZE A4	
				SHEET 1 of 1	