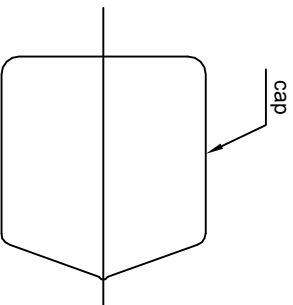
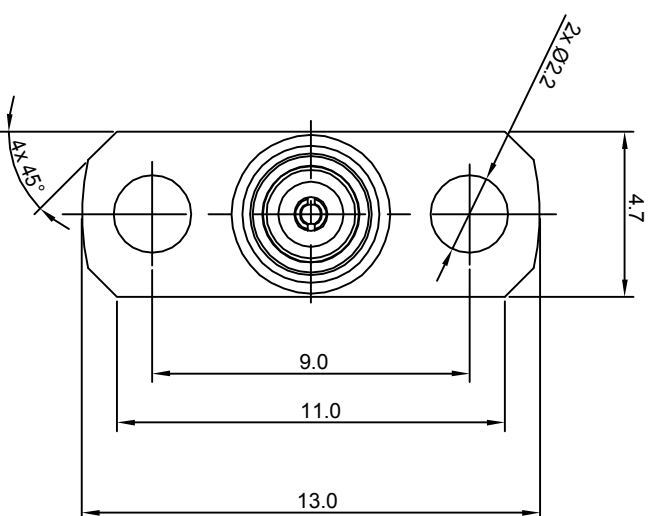
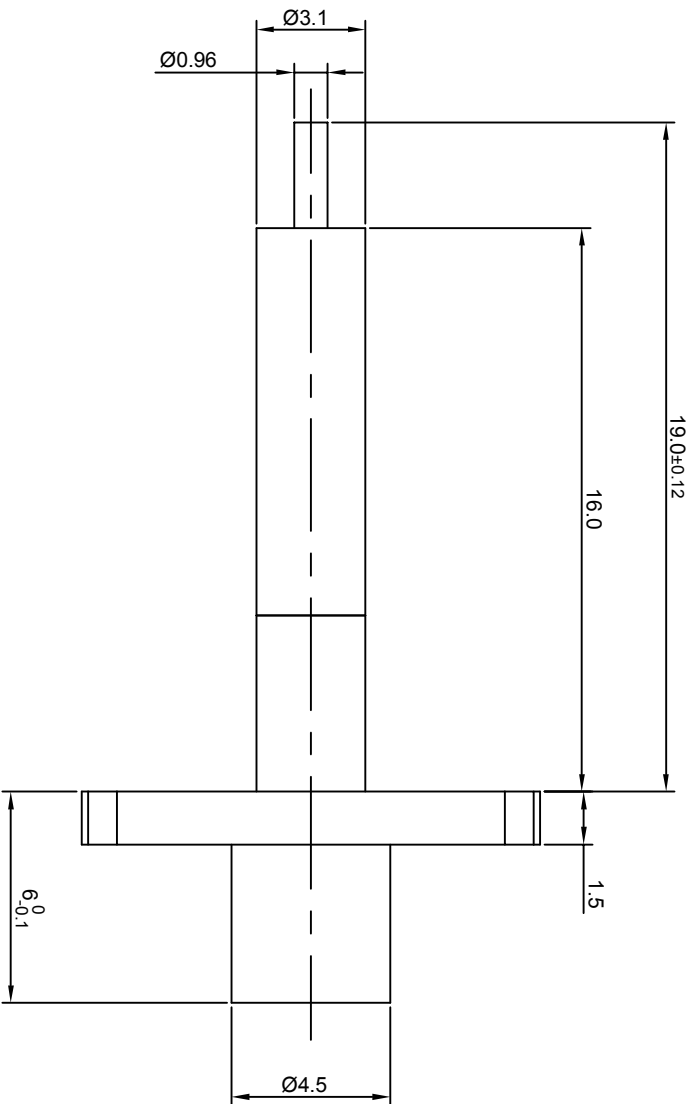


- NOTES: (UNLESS OTHERWISE SPECIFIED)**
1. INTERFACE COMPLY WITH IEC 169-36.
 2. PART MUST BE PACKAGED TO AVOID ANY DAMAGES DURING TRANSPORTATION.



REV.	DESCRIPTION	APPROVED	DATE	EON

MATERIAL	
SEE BOM FOR DETAILS	
FINISH	
SEE BOM FOR DETAILS	
Plating part to be touched by gloves	
Dimension apply before plating	
XXX - measuring point for plating	
SURFACE	VOLUME

TOLERANCES	
0place X ±1	1place X ±0.1
2place XX ±0.05	Angle 45°
Remove burrs and sharp edges	

THIRD ANGLE PROJECTION	
GENERAL ECCENTRICITY	<input checked="" type="checkbox"/> 0.06
DRAWN BY	Joy Zhou
DATE	03Aug07
CHECKED BY	
APPROVED BY	

TITLE	
MCX, JACK, FLANGE	
DWG NO.	6017.MCX.JSF.00.110
SCALE	5:1
DO NOT SCALE DRAWING	
SIZE	A4
SHEET	1 of 1
REV.	S1



1 2 3 4 5 6