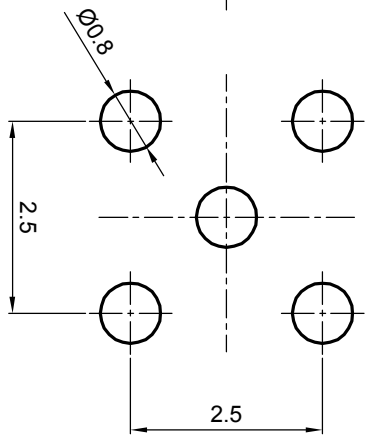
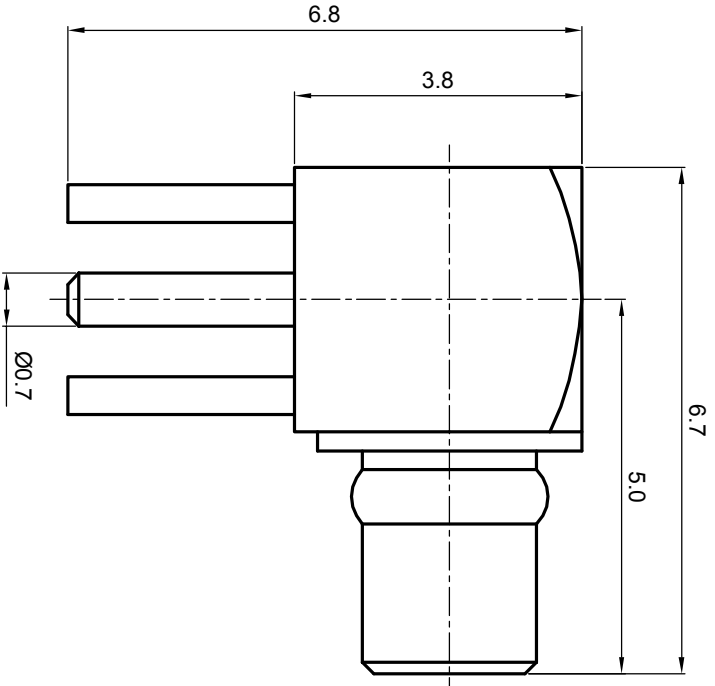


- NOTES: (UNLESS OTHERWISE SPECIFIED)**
- Interface comply with CECC 22340.
  - Part must be packaged to avoid any damaged during transportation.

REV.	DESCRIPTION	APPROVED	DATE	EON



PCB LAYOUT



MATERIAL		SEE BOM OF DETAILS		TOLERANCES		THIRD ANGLE PROJECTION		TITLE	
SEE BOM OF DETAILS		SEE BOM OF DETAILS		Oplace X ±1 1place .X ±0.1 2place .XX ±0.05 Angle ±5°					
FINISH		SEE BOM OF DETAILS		Remove burrs and sharp edges		GENERAL ECCENTRICITY		DWG NO.	
Plating part to be touched by gloves		SEE BOM OF DETAILS				<input checked="" type="checkbox"/> 0.06		5980.MM CX.PRT.00.110	
Dimension apply before plating		SEE BOM OF DETAILS				<input type="checkbox"/> 0.06		REV.	
XXX - measuring point for plating		SEE BOM OF DETAILS				<input type="checkbox"/> 0.06		S1	
SURFACE		VOLUME		<b>NOTICE:</b> Those drawings and specifications are the property of ZEE TEQ CORPORATION and used only for the specify purpose authorised by ZEE TEQ.		SCALE		SHEET	
						10:1		1 of 1	
						DO NOT SCALE DRAWING			
						A4			