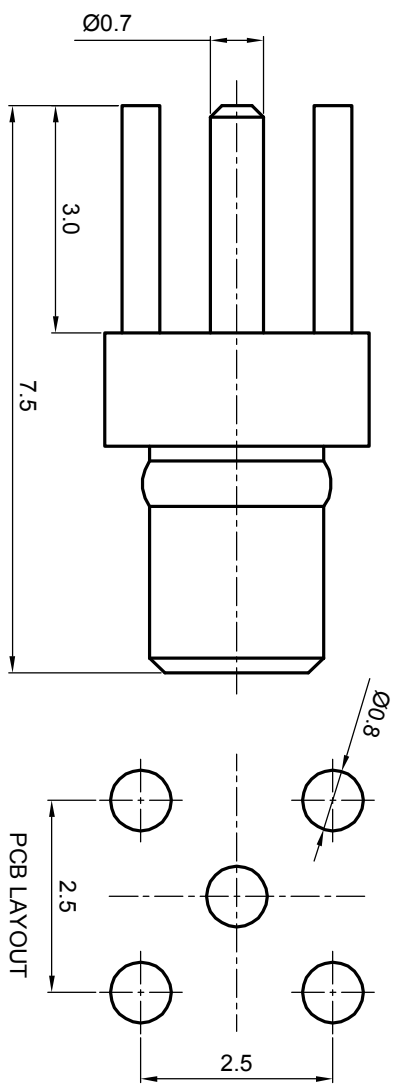


NOTES: (UNLESS OTHERWISE SPECIFIED)

1. Interface comply with CECC 22340.
2. Part must be packaged to avoid any damaged during transportation.

REV.	DESCRIPTION	APPROVED	DATE	ECN



MATERIAL		SEE BOM OF DETAILS		TOLERANCES		THIRD ANGLE PROJECTION		TITLE	
SEE BOM OF DETAILS		SEE BOM OF DETAILS		Oplace X ±1 1place .X ±0.1 2place .XX ±0.05 Angle ±5°				ZeeTeq MMCX, PLUG, PCB	
FINISH		REMOVE BURRS AND SHARP EDGES		GENERAL ECCENTRICITY <input checked="" type="checkbox"/> 0.06		NAME DATE COLIN 16Nov07		DWG NO. 5979.MMCX.PST.00.110	
SEE BOM OF DETAILS		Remove burrs and sharp edges 		DRAWN BY COLIN CHECKED BY APPROVED BY		SCALE 10:1 DO NOT SCALE DRAWING		REV. S1	
Plating part to be touched by gloves		Plating part to be touched by gloves		DRAWN BY COLIN CHECKED BY APPROVED BY		SIZE A4		SHEET 1 OF 1	
Dimension apply before plating		Dimension apply before plating		DRAWN BY COLIN CHECKED BY APPROVED BY		DO NOT SCALE DRAWING		SHEET 1 OF 1	
XXX - measuring point for plating		XXX - measuring point for plating		DRAWN BY COLIN CHECKED BY APPROVED BY		DO NOT SCALE DRAWING		SHEET 1 OF 1	
SURFACE		VOLUME		DRAWN BY COLIN CHECKED BY APPROVED BY		DO NOT SCALE DRAWING		SHEET 1 OF 1	

NOTICE: Those drawings and specifications are the property of ZEE TEQ CORPORATION and used only for the specify purpose authorised by ZEE TEQ.