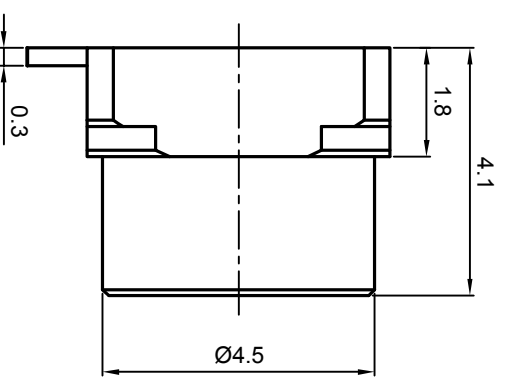
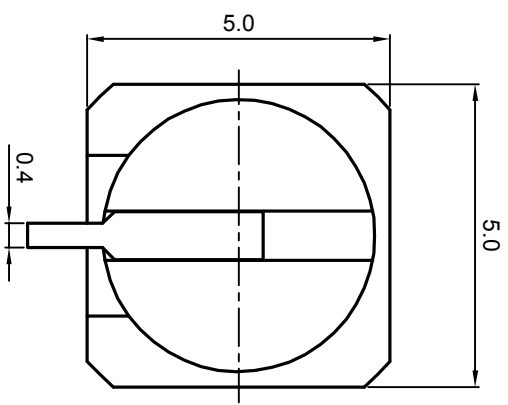
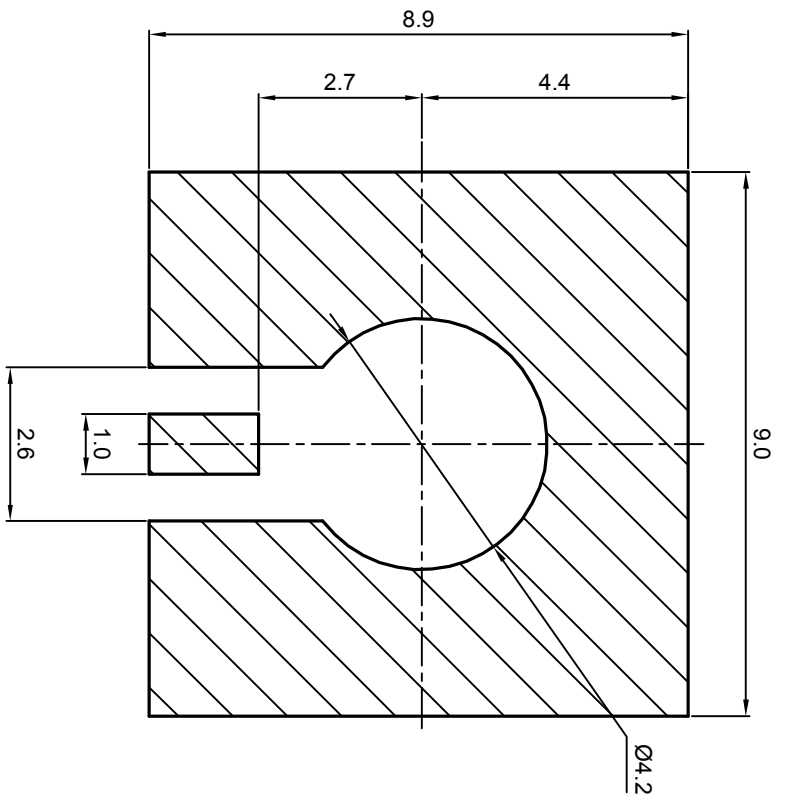


NOTES: (UNLESS OTHERWISE SPECIFIED)

1. The interface comply with MIL-STD-3488A.

PCB Layout



REV.	DESCRIPTION	APPROVED	DATE	EON

1	2	3	4	5	6
---	---	---	---	---	---

MATERIAL SEE BOM FOR DETAILS		TOLERANCES 0place X ±1 1place X ±0.1 2place XX ±0.05 Angle ±5°		THIRD ANGLE PROJECTION 		TITLE SMP, PLUG, PCB	
FINISH SEE BOM FOR DETAILS		Remove burrs and sharp edges 		GENERAL ECCENTRICITY <input checked="" type="checkbox"/> 0.06		DWG. NO. 5995.SMP.PSS.00.110	
Plating part to be touched by gloves		Remove burrs and sharp edges		NAME Danny.D		DATE 05NOV07	
Dimension apply before plating		Remove burrs and sharp edges		DRAWN BY Danny.D		CHECKED BY	
XXX - measuring point for plating		Remove burrs and sharp edges		APPROVED BY		SCALE 8:1	
SURFACE		VOLUME		DO NOT SCALE DRAWING		SIZE A4	
SEE BOM FOR DETAILS		SEE BOM FOR DETAILS		NOTICE: Those drawings and specifications are the property of ZEETEQ CORPORATION and used only for the specify purpose authorised by ZEETEQ		REV. S1	
SEE BOM FOR DETAILS		SEE BOM FOR DETAILS		APPROVED BY		SHEET 1 of 1	

D	C	B	A	D	C	B	A
---	---	---	---	---	---	---	---