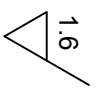
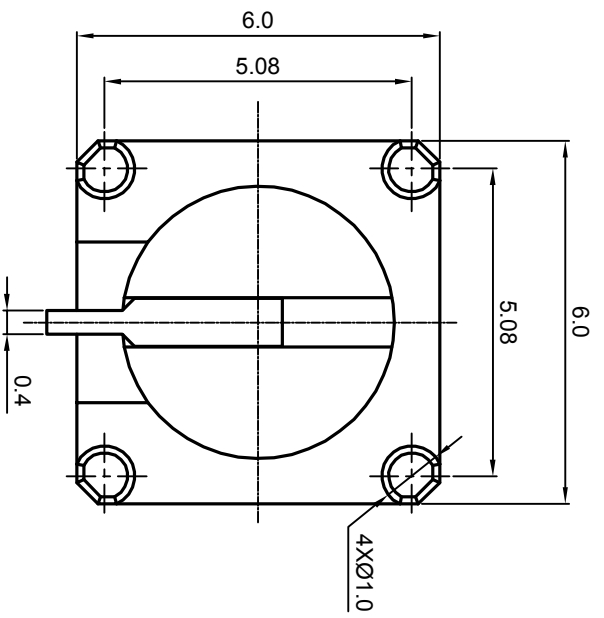
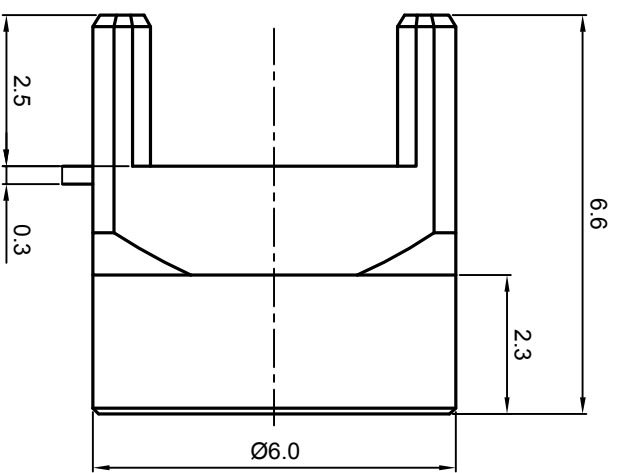
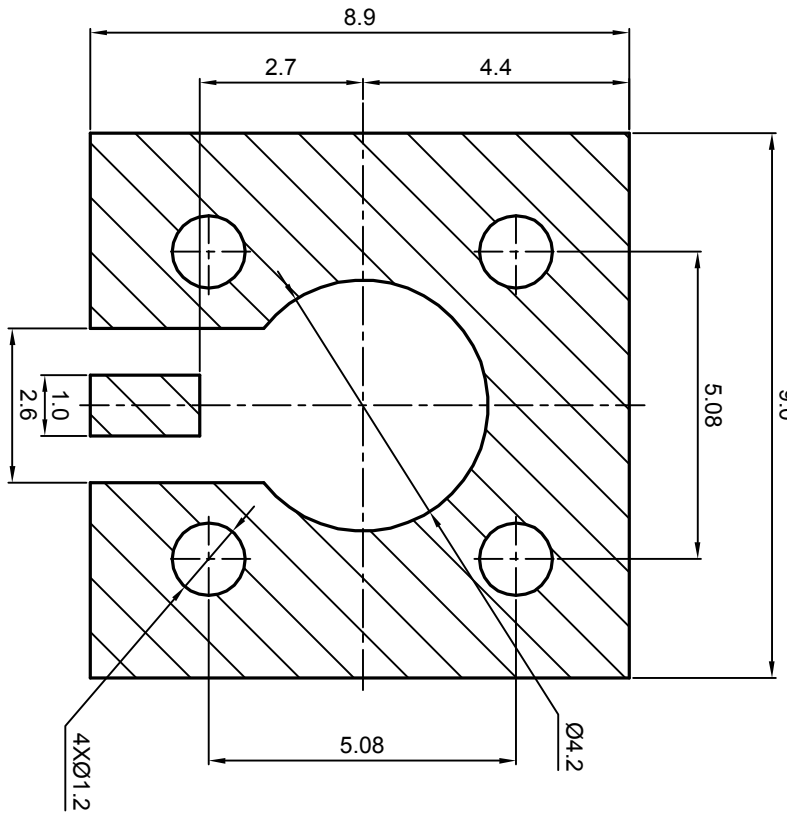


NOTES: (UNLESS OTHERWISE SPECIFIED)

1. The interface comply with MIL-STD-348A.

PCB Layout



REV.	DESCRIPTION	APPROVED	DATE	ECN

1	2	3	4	5	6
---	---	---	---	---	---

MATERIAL SEE BOM FOR DETAILS		TOLERANCES Oplate X ±1 1place X ±0.1 2place XX ±0.05 Angle ±5°		THIRD ANGLE PROJECTION 	
FINISH SEE BOM FOR DETAILS		Remove burrs and sharp edges 		GENERAL ECCENTRICITY <input checked="" type="checkbox"/> 0.06	
Plating part to be touched by gloves Dimension apply before plating XXX - measuring point for plating		DRAWN BY Danny.D		NAME Danny.D	
SURFACE		CHECKED BY		DATE 05NOV07	
VOLUME		APPROVED BY		REV.	

TITLE SMP, PLUG, PCB			DWG. NO. 5992.SMP.PST.00.110		
SCALE 8:1			DO NOT SCALE DRAWING		
SIZE A4			SHEET 1 of 1		

1	2	3	4	5	6
---	---	---	---	---	---