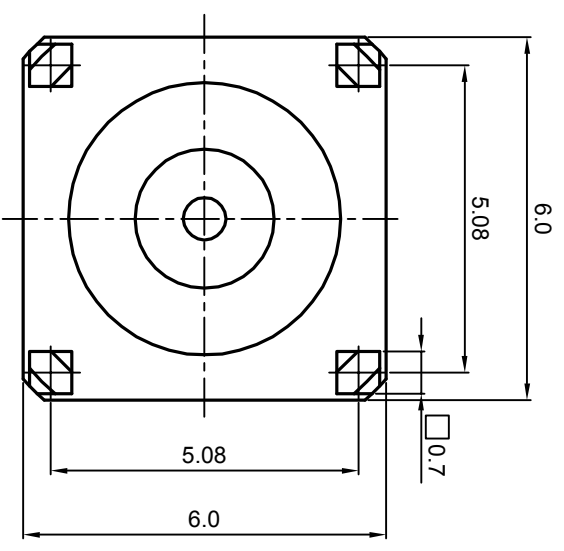
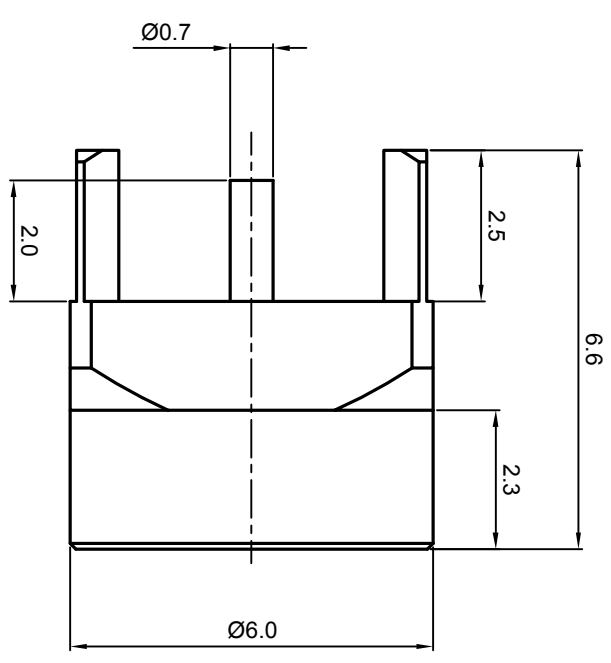
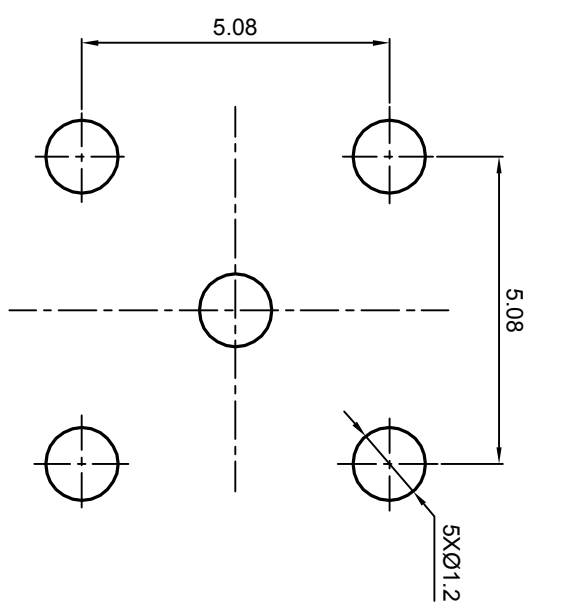


NOTES: (UNLESS OTHERWISE SPECIFIED)

1. The interface comply with MIL-STD-348A.

Recommended
Mounting hole



1.6

REV.	DESCRIPTION	APPROVED	DATE	EON

MATERIAL SEE BOM FOR DETAILS		TOLERANCES 0place X ±1 1place X ±0.1 2place XX ±0.05 Angle ±5°		THIRD ANGLE PROJECTION 		TITLE SMP, PLUG, PCB	
FINISH SEE BOM FOR DETAILS		Remove burrs and sharp edges 		GENERAL ECCENTRICITY <input checked="" type="checkbox"/> 0.06		DWG. NO. 5991.SMP.PST.00.110	
Plating part to be touched by gloves Dimension apply before plating XXX - measuring point for plating		DRAWN BY Danny.D		NAME Danny.D		DATE 05NOV07	
SURFACE		VOLUME		CHECKED BY		APPROVED BY	
NOTICE: Those drawings and specifications are the property of ZEETEQ CORPORATION and used only for the specify purpose authorised by ZEETEQ		SCALE 8:1		DO NOT SCALE DRAWING		SIZE A4	
REV.		SHEET		1 of 1		S1	