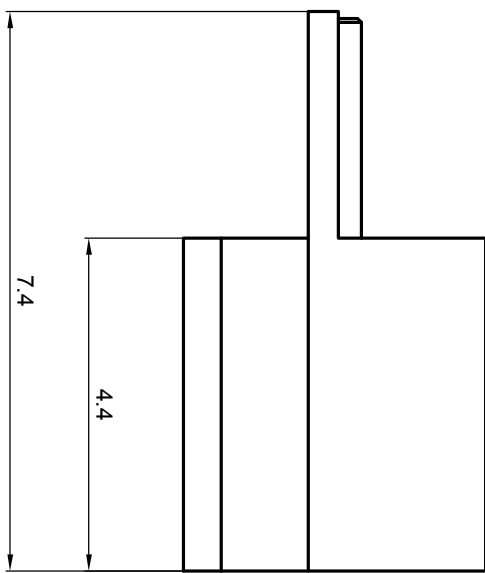
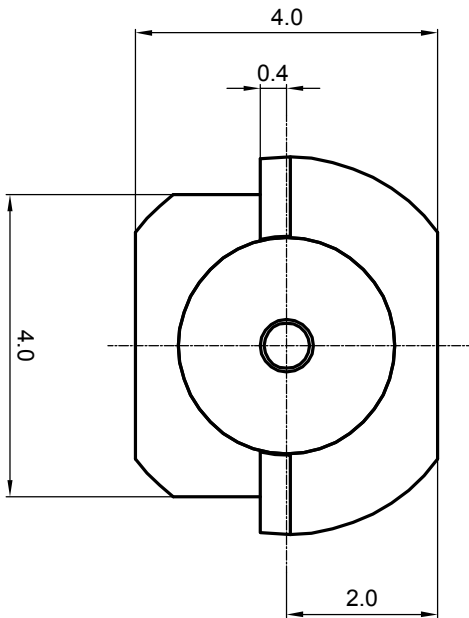


NOTES: (UNLESS OTHERWISE SPECIFIED)

1. Interface comply with MIL-STD-348A.
2. Part must be packaged to avoid any damaged during transportation.



REV.	DESCRIPTION	APPROVED	DATE	ECN

MATERIAL		SEE BOM OF DETAILS		TOLERANCES		THIRD ANGLE PROJECTION		TITLE	
SEE BOM OF DETAILS		SEE BOM OF DETAILS		Oplace X ±1 1place X ±0.1 2place XX ±0.05 Angle ±5°				Zee teq SMP, PLUG, PCB	
FINISH		SEE BOM OF DETAILS		Remove burrs and sharp edges 		GENERAL ECCENTRICITY <input checked="" type="checkbox"/> 0.06		DWG NO. 5989.SMP.PSE.00.110	
Plating part to be touched by gloves		SEE BOM OF DETAILS		-0.2 		NAME DATE Colin 09Nov07		SCALE 10:1	
Dimension apply before plating		SEE BOM OF DETAILS		+0.2 		DRAWN BY Colin		DO NOT SCALE DRAWING	
XXX - measuring point for plating		SEE BOM OF DETAILS		Remove burrs and sharp edges 		CHECKED BY		SIZE A4	
SURFACE		VOLUME		NOTICE: Those drawings and specifications are the property of ZEE TEQ CORPORATION and used only for the specify purpose authorised by ZEE TEQ.		APPROVED BY		SHEET 1 OF 1	

