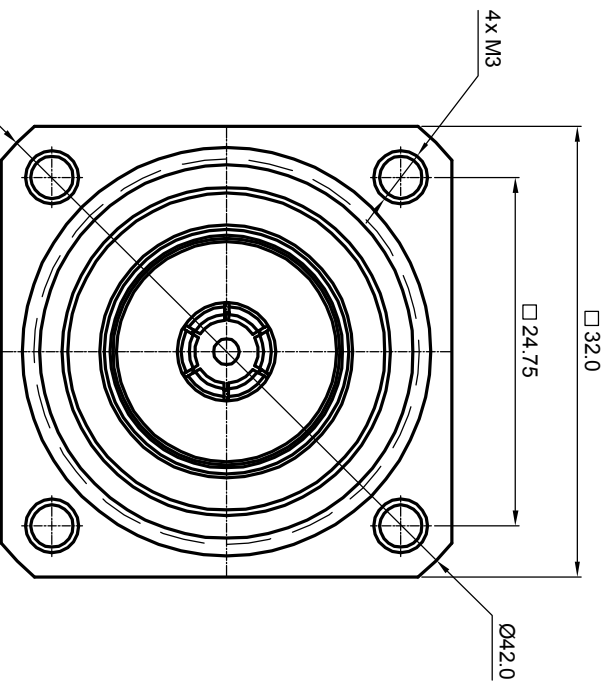
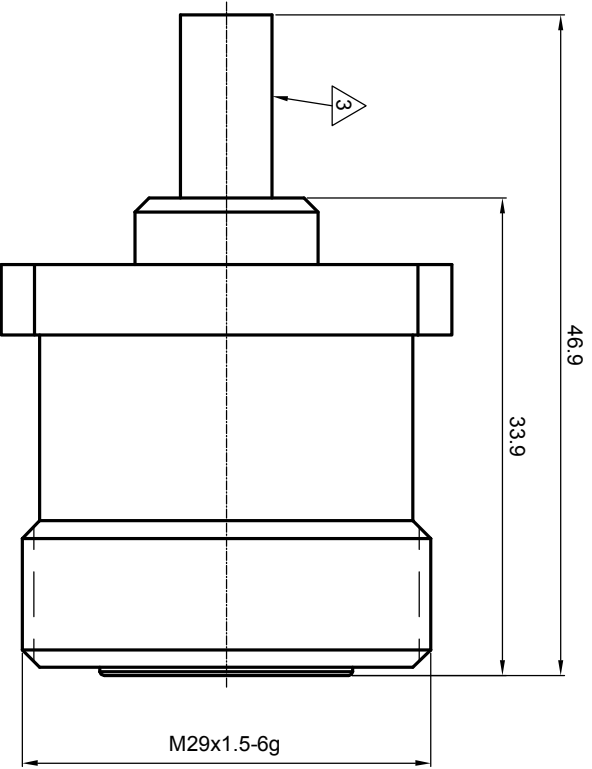


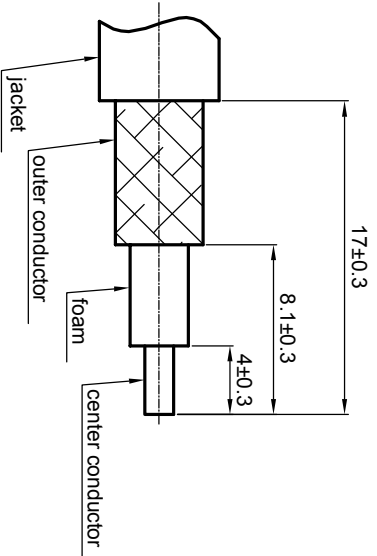
NOTES: (UNLESS OTHERWISE SPECIFIED)

- Interface comply with IEC 169-4.
- Part must be packaged to avoid any damaged during transportation.

⚠ After crimping dimension should be AF/SW 5.41.



recommended cable stripping dims



MATERIAL see bom		TOLERANCES Oplace X ±1 1place X ±0.1 2place .XX ±0.05 Angle ±5°		THIRD ANGLE PROJECTION 		TITLE Zeeteq	
FINISH see bom		Remove burrs and sharp edges 		GENERAL ECCENTRICITY [Z1008]		DWG NO. 5086.716.JSC.09.233	
Plating part to be touched by gloves		DRAWN BY Joy Zhou		NAME Joy Zhou		DATE 14Dec07	
Dimension apply before plating		CHECKED BY		APPROVED BY		SCALE 2:1	
XXX - measuring point for plating		SURFACE		VOLUME		DO NOT SCALE DRAWING	
NOTICE: Those drawings and specifications are the property of ZEETEQ CORPORATION and used only for the specify purpose authorised by ZEETEQ		REV. A		DESCRIPTION Rel To Production		APPROVED Johnny	
						DATE 23Apr08	
						ECON	

1.6

1 2 3 4 5 6