

DATA SHEET

Cable connector



Part Number

5085.716.JSC.12.233

Description

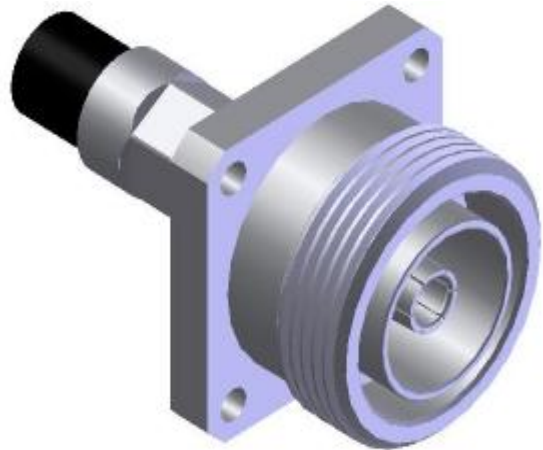
7/16, Jack, Straight, Flange Mount

Interface Standard

IEC 169-4

Suitable Cable

RG214/U RG225/U RG393/U



Electrical Data

Impedance	50	Ω		
Max. operating frequency	5	GHz	cable limited	
Frequency range	DC to 1GHz	1 to 2.2GHz	2.2 to 3GHz	3 to 5GHz
VSWR	≤ 1.04	≤ 1.05	≤ 1.06	≤ 1.13
Insertion loss	$0.03\sqrt{f(\text{GHz})}$	dB		
Insulation resistance	≥ 10000	M Ω		
Center contact resistance	≤ 0.4	m Ω		
Outer contact resistance	≤ 1.5	m Ω		
Dielectric withstanding voltage	≥ 4000	Vrms @ 50Hz	connector limited	
Working voltage	≤ 3000	Vrms @ 50Hz	connector limited	

Mechanical Data

Mating cycles	≥ 500	
Center contact axial force	≥ 200	N
Center contact axial torque	≥ 0.45	Nm
contact gauge ret. Force	$\geq 6\sim 18$	N
Center contact	solder	
Outer contact	crimp	
Cable retention force		
-RG214/U RG393/U	≥ 477	N
-RG225/U	≥ 553	N

Environmental Data

Operating temperature	restricted by cable and/or silicone used
2002/95/EC (ROHS)	compliant
Sealing	N/A
Thermal shock	MIL-STD-202 Method107, condition B
Moisture resistance	MIL-STD-202 Method106
Corrosion resistance	MIL-STD-202 Method101, condition B
Vibration	MIL-STD-202 Method204, condition D
Shock	MIL-STD-202 Method213, condition I

Material Data

Piece Parts	Material	Surface Plating
center contact	Phosphor bronze	Ag
outer contact	Brass	CuSnZn
insulator	PTFE	
ferrule	Brass	CuSnZn