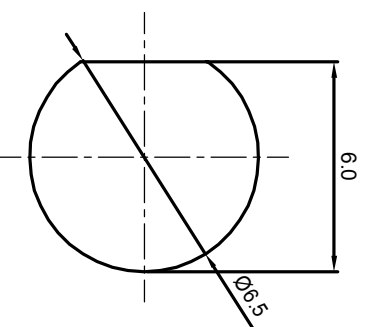
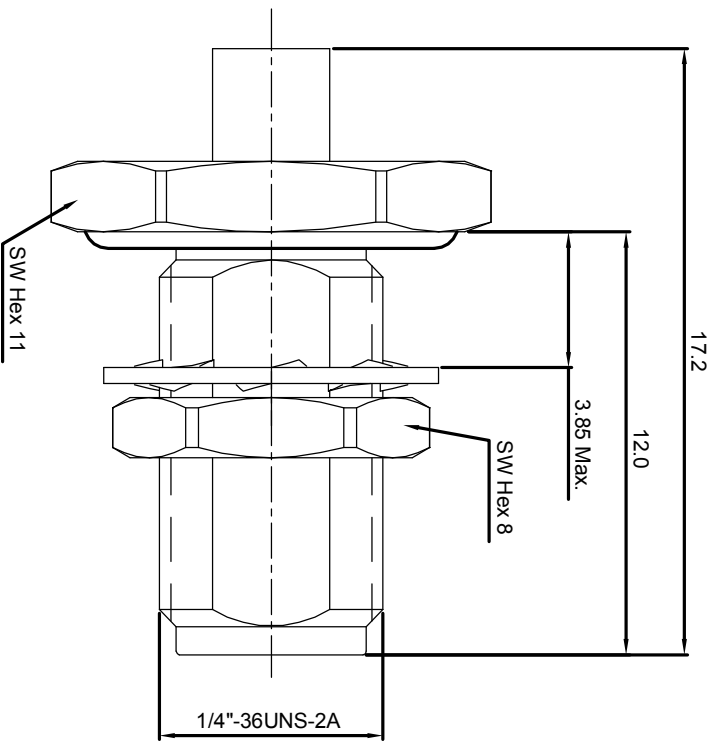


REV.	DESCRIPTION	APPROVED	DATE	ECN

**NOTES: (UNLESS OTHERWISE SPECIFIED)**

- Interface comply with IEC 169-15.
- Part must be packaged to avoid any damaged during transportation.



1.6

MATERIAL		TOLERANCES		THIRD ANGLE PROJECTION		TITLE	
SEE BOM OF DETAILS		Optance X ±1 1place X ±0.1 2place .XX ±0.05 Angle ±5°				Zeeteq	
SEE BOM OF DETAILS		Remove burrs and sharp edges		GENERAL ECCENTRICITY <input checked="" type="checkbox"/> 0.06		SMA, Jack, cable	
FINISH		-0.2 +0.2		DRAWN BY Joy Zhou 20 Nov 07		DWG NO. 5174.SMA.JSC.03.110	
SEE BOM OF DETAILS		Plating part to be touched by gloves		CHECKED BY		SCALE 5:1	
SURFACE		VOLUME		APPROVED BY		DO NOT SCALE DRAWING	
						SIZE A4	
						SHEET 1 of 1	
						REV. S1	

NOTICE: Those drawings and specifications are the property of ZEETEQ CORPORATION and used only for the specify purpose authorised by ZEETEQ