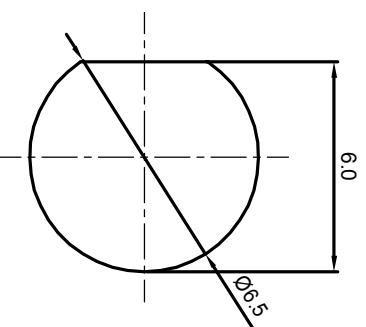
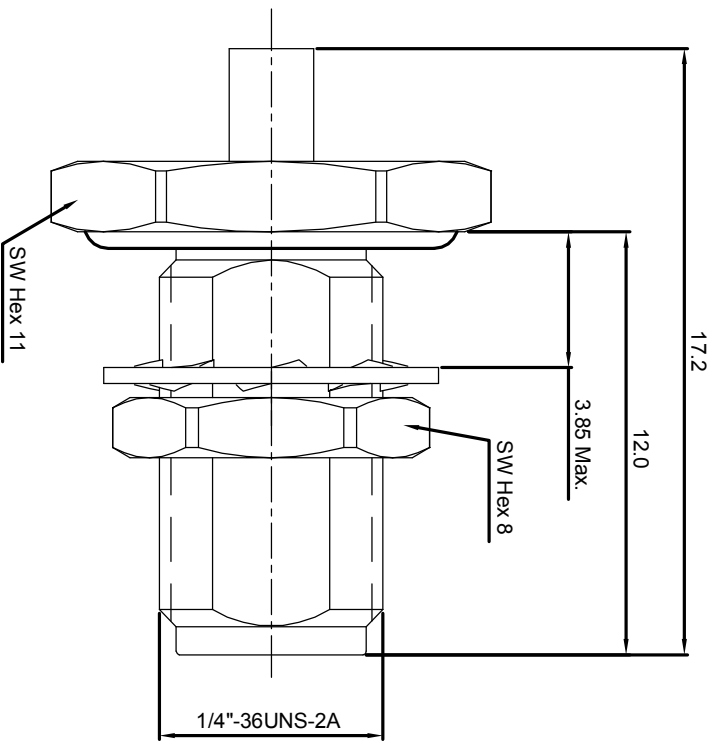


**NOTES: (UNLESS OTHERWISE SPECIFIED)**

- Interface comply with IEC 169-15.
- Part must be packaged to avoid any damaged during transportation.



REV.	DESCRIPTION	APPROVED	DATE	ECN

1.6

MATERIAL		TOLERANCES		THIRD ANGLE PROJECTION		TITLE	
SEE BOM OF DETAILS		Oplate X ±1 1place X ±0.1 2place .XX ±0.05 Angle ±5°		GENERAL ECCENTRICITY <input checked="" type="checkbox"/> 0.06		<b>Zeeteq</b> SMA, Jack, cable	
FINISH		Remove burrs and sharp edges		DRAWN BY		DWG NO.	
SEE BOM OF DETAILS		-0.2 +0.2		NAME		DATE	
Plating part to be touched by gloves				Joy Zhou		20 Nov 07	
SURFACE		VOLUME		CHECKED BY		APPROVED BY	
NOTICE: Those drawings and specifications are the property of ZEETEQ CORPORATION and used only for the specify purpose authorised by ZEETEQ				SCALE 5:1 DO NOT SCALE DRAWING SIZE A4 SHEET 1 of 1			
5173.SMA.JSC.02.110				REV. S1			