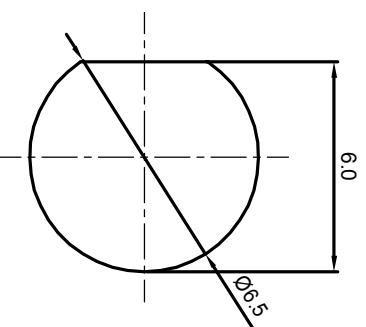
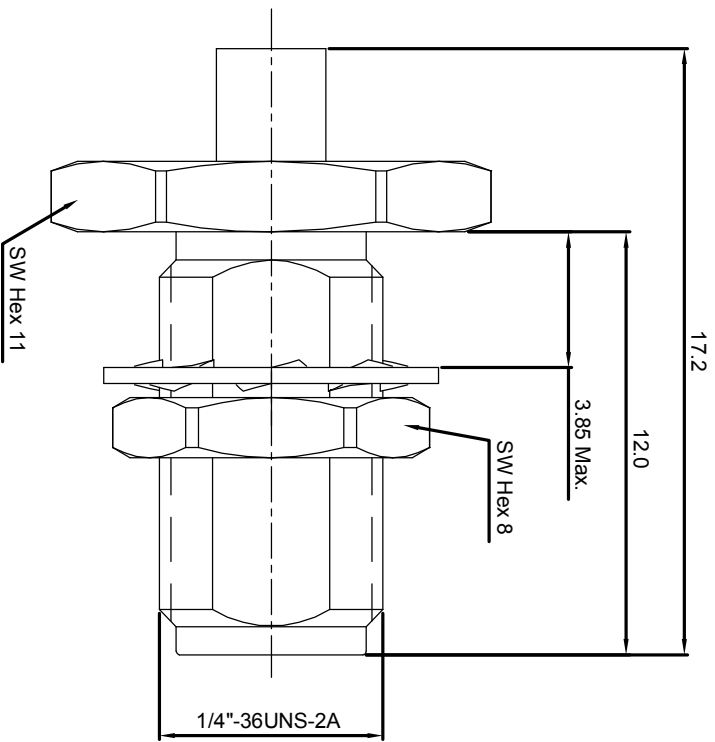


NOTES: (UNLESS OTHERWISE SPECIFIED)

- Interface comply with IEC 169-15.
- Part must be packaged to avoid any damaged during transportation.



REV.	DESCRIPTION	APPROVED	DATE	ECN



MATERIAL		TOLERANCES		THIRD ANGLE PROJECTION		TITLE	
SEE BOM OF DETAILS		Oplate X ±1 1place X ±0.1 2place .XX ±0.05 Angle ±5°		GENERAL ECCENTRICITY <input checked="" type="checkbox"/> 0.06		Zeeteq SMA, Jack, cable	
FINISH		Remove burrs and sharp edges		DRAWN BY		DWG NO.	
SEE BOM OF DETAILS				NAME		DATE	
Plating part to be touched by gloves				Joy Zhou		20 Nov 07	
SURFACE		VOLUME		CHECKED BY		APPROVED BY	
NOTICE: Those drawings and specifications are the property of ZEETEQ CORPORATION and used only for the specify purpose authorised by ZEETEQ				SCALE 5:1 DO NOT SCALE DRAWING SIZE A4 SHEET 1 of 1			
5023.SMA.JSC.03.110				S1			

1 2 3 4 5 6