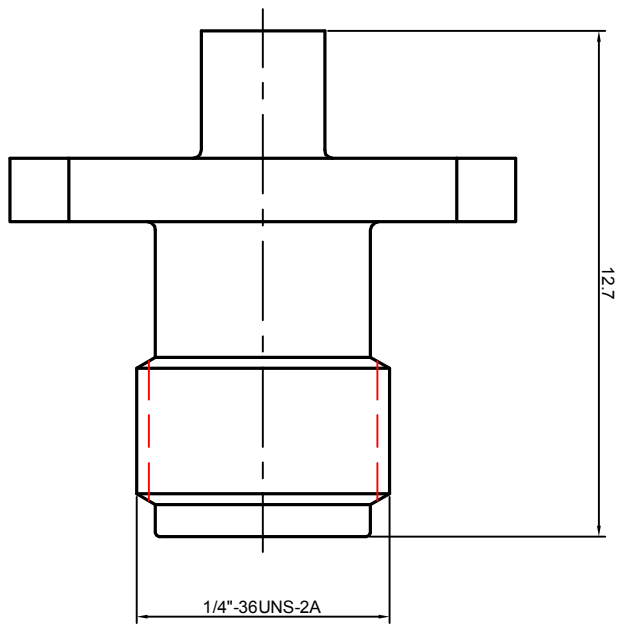
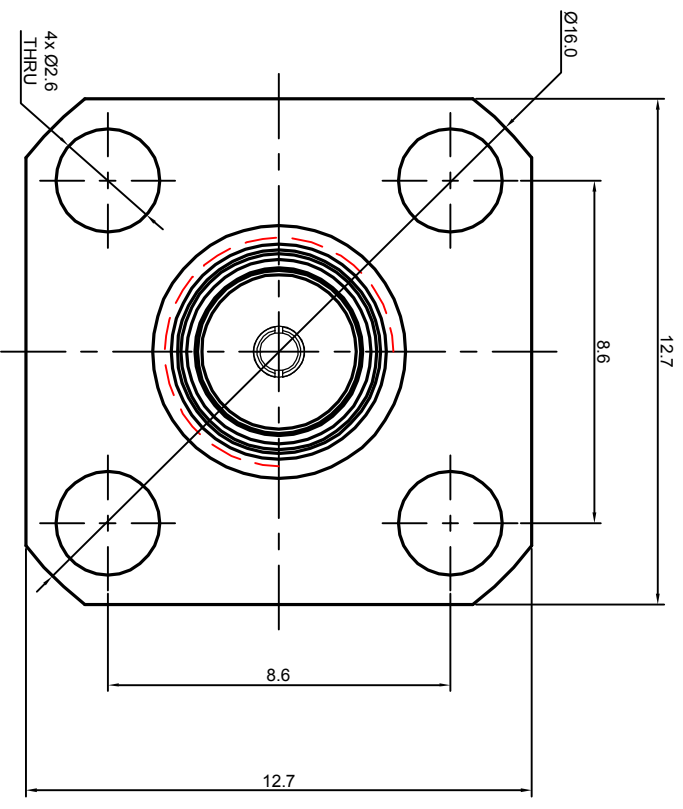
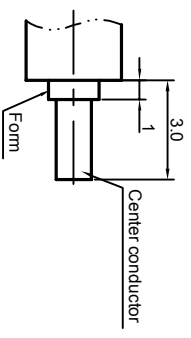


- NOTES: (UNLESS OTHERWISE SPECIFIED)**
1. INTERFACE COMPLY WITH IEC 169-15;
  2. PART MUST BE PACKAGED TO AVOID ANY DAMAGES DURING TRANSPORTATION.



RECOMMENDED CABLE STRIPPING DIMENSIONS



REV.	DESCRIPTION	APPROVED	DATE	ECN
A	Rel to production	Johnny	06Aug07	
B	Update stripping dims.	Joy Zhou	05Dec07	ECN_07_012

MATERIAL SEE BOM FOR DETAILS		TOLERANCES Dhase X ±1 Dhase X ±0.1 Dhase XX ±0.05 Angle 45°		THIRD ANGLE PROJECTION		TITLE <b>Zeeteq</b>	
FINISH SEE BOM FOR DETAILS		Remove burrs and sharp edges		GENERAL ECCENTRICITY <input checked="" type="checkbox"/> 0.06		DRAWN BY Joy Zhou 23Jul07	
Plating part to be touched by gloves Dimension apply system setting XXX - measuring point for plating		-0.1 -0.1		NAME Joy Zhou		DATE 23Jul07	
SURFACE		NOTICE: Those drawings and specifications are the property of ZEETEQ CORPORATION and used only for the specific purpose authorized by ZEETEQ.		CHECKED BY Colin Dai		DATE 23Jul07	
VOLUME				APPROVED BY Johnny		DATE 23Jul07	
				DRAWING NO. 5019.SMA.JSC.02.110		SCALE 2:1	
				DO NOT SCALE DRAWING		SIDE A3	
						SHEET 1 of 1	
						REV B	

