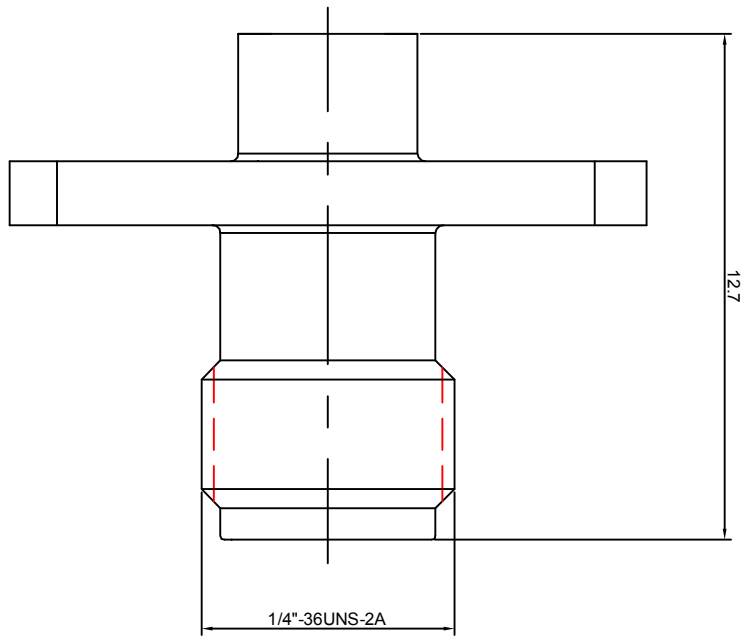
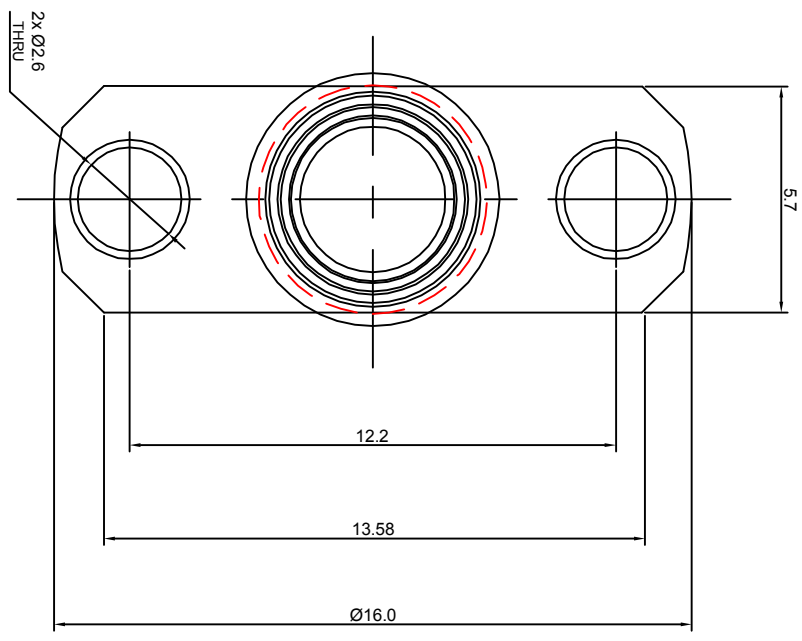
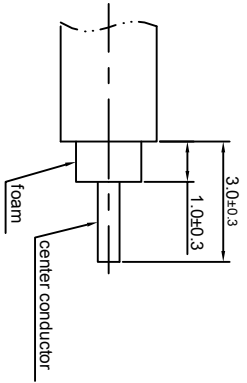


NOTES: (UNLESS OTHERWISE SPECIFIED)
 1. INTERFACE COMPLY WITH IEC 169-15.
 2. PART MUST BE PACKAGED TO AVOID ANY DAMAGES DURING TRANSPORTATION.



RECOMMENDED CABLE STRIPPING DIMENSIONS



REV.	DESCRIPTION	APPROVED	DATE	EON
A	Rel to production	Johnny	22Nov07	

MATERIAL SEE BOM FOR DETAILS		THIRD ANGLE PROJECTION		Zeeteq	
FINISH SEE BOM FOR DETAILS		GENERAL ECCENTRICITY 0.06		TITLE SMA, jack, cable mount	
TOLERANCES DIN 15 1place X ±1 2place X ±0.1 3place XX ±0.05 Angle 45°		DRAWN BY Joy Zhou 25JUL07		DWG NO. 5017.SMA.JSC.03.110	
SURFACE Plating part to be touchably gloves Dimension apply before plating XXX - measuring part or plating		CHECKED BY Billy Lei 22Nov07		SCALE 2:1	
VOLUME		APPROVED BY Johnny 22Nov07		DO NOT SCALE DRAWING	
NOTICE: Those drawings and specifications are the property of ZEETEO CORPORATION and used only for the specify purpose authorised by ZEETEO.		DATE 22Nov07		SHEET A	
		REV. 1 of 1		A3	

