

DATA SHEET

Cable connector



Part Number

5017.SMA.JSC.03.110

Description

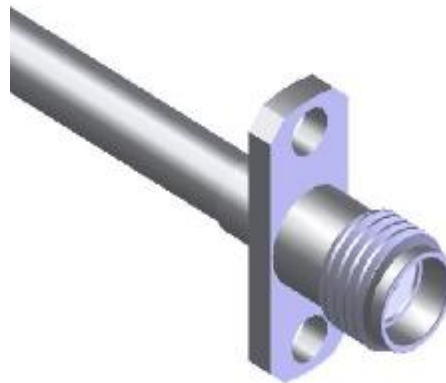
SMA, Jack, Straight, Cable Mount

Interface Standard

IEC 60169-15

Suitable Cable

RG402/U, UT141



Electrical Data

Impedance	50	Ω		
Max. operating frequency	18	GHz	connector limited	
Frequency range	DC to 1GHz	1 to 2.2GHz	2.2 to 3GHz	3 to 6GHz
VSWR	≤1.02	≤1.03	≤1.03	≤1.08
Insertion loss	0.03 $\sqrt{f(\text{GHz})}$	dB		
Insulation resistance	≥5000	MΩ		
Center contact resistance	≤3	mΩ		
Outer contact resistance	≤2.5	mΩ		
Dielectric withstanding voltage	≥1000	Vrms @ 50Hz	cable limited	
Working voltage	≥335	Vrms @ 50Hz	cable limited	

Mechanical Data

Mating cycles	≥500	
Center contact axial force	≥22	N
Center contact axial torque	≥0.03	Nm
contact gauge ret. Force	≥0.28	N
Center contact	solder	
Outer contact	solder	
Cable retention force		
UT141	≥309.1	N
RG402/U	≥100	N

Environmental Data

Operating temperature	restricted by cable and/or silicone used
2002/95/EC (ROHS)	compliant
Sealing	N/A
Thermal shock	MIL-STD-202 Method107, condition B
Moisture resistance	MIL-STD-202 Method106
Corrosion resistance	MIL-STD-202 Method101, condition B
Vibration	MIL-STD-202 Method204, condition D
Shock	MIL-STD-202 Method213, condition I

Material Data

Piece Parts	Material	Surface Plating
center contact	Beryllium copper	Au
body	Brass	Au
insulator	PTFE	