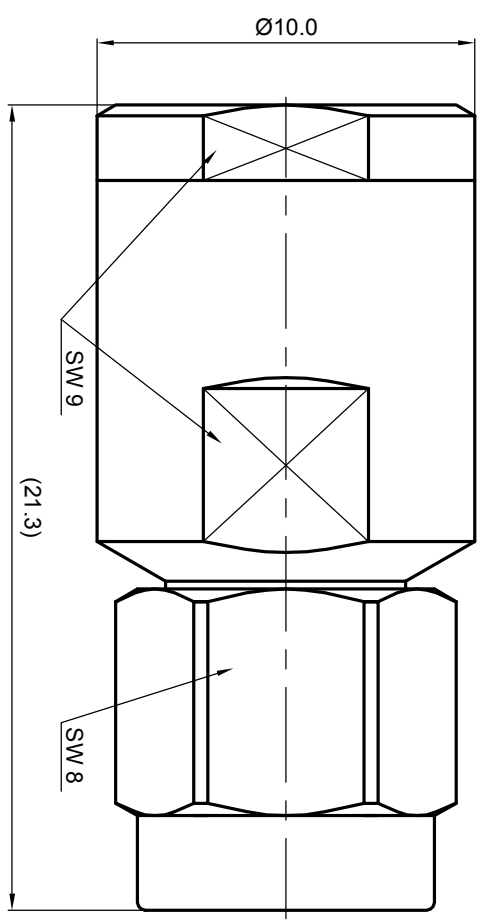


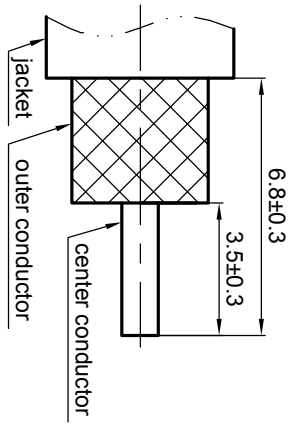
NOTES: (UNLESS OTHERWISE SPECIFIED)

1. Interface comply with IEC 169-15.
2. Part must be packaged to avoid any damaged during transportation.

REV.	DESCRIPTION	APPROVED	DATE	EON



Recommended cable stripping dims



MATERIAL SEE BOM OF DETAILS		TOLERANCES 0place X ±1 1place X ±0.1 2place XX ±0.05 Angle ±5°		THIRD ANGLE PROJECTION 		TITLE SMA, plug, cable	
FINISH SEE BOM OF DETAILS		Remove burrs and sharp edges 		GENERAL ECCENTRICITY <input checked="" type="checkbox"/> 0.06		DWG. NO. 5180.SMA.PSC.08.111	
Plating part to be touched by gloves Dimension apply before plating XXX - measuring point for plating		DRAWN BY Billy Lei 19 Feb 08		NAME Billy Lei		DATE 19 Feb 08	
SURFACE		VOLUME		CHECKED BY		APPROVED BY	
NOTICE: Those drawings and specifications are the property of ZEETEQ CORPORATION and used only for the specify purpose authorised by ZEETEQ				SCALE 5:1		DO NOT SCALE DRAWING	
SURFACE				SIZE A4		SHEET 1 of 1	
REV.				S1		1.6	