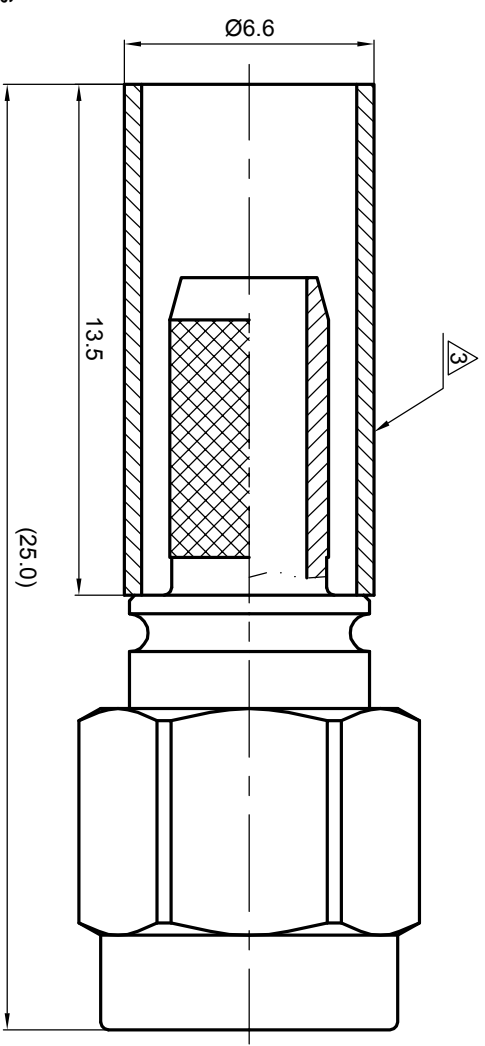


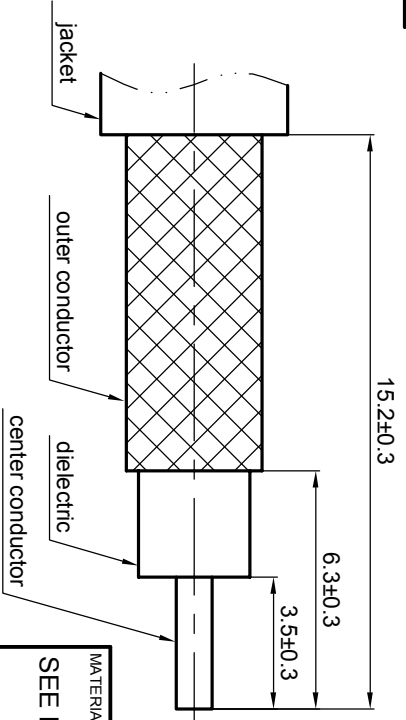
NOTES: (UNLESS OTHERWISE SPECIFIED)

- Interface comply with IEC 169-15.
- Part must be packaged to avoid any damaged during transportation.

⚠ After crimping dimension should be AF/SW 5.41.



Recommended cable stripping dims



| REV. | DESCRIPTION | APPROVED | DATE | ECN |
|------|--------------------|----------|-----------|-----|
| A | REL. TO PRODUCTION | Johnny | 15 Nov 07 | |

| MATERIAL | | TOLERANCES | | THIRD ANGLE PROJECTION | | | | | | | | | |
|--------------------|-----------|---|--|--|--|------|------|-------|-----------|-----|-----------|--------|-----------|
| SEE BOM OF DETAILS | | Opface X ±1 1place X ±0.1 2place .XX ±0.05 Angle ±5° | | GENERAL ECCENTRICITY <input checked="" type="checkbox"/> 0.06 | | | | | | | | | |
| SEE BOM OF DETAILS | | Remove burrs and sharp edges | | <table border="1"> <tr> <th>NAME</th> <th>DATE</th> </tr> <tr> <td>Billy</td> <td>11 Oct 07</td> </tr> <tr> <td>Joy</td> <td>15 Nov 07</td> </tr> <tr> <td>Johnny</td> <td>15 Nov 07</td> </tr> </table> | | NAME | DATE | Billy | 11 Oct 07 | Joy | 15 Nov 07 | Johnny | 15 Nov 07 |
| NAME | DATE | | | | | | | | | | | | |
| Billy | 11 Oct 07 | | | | | | | | | | | | |
| Joy | 15 Nov 07 | | | | | | | | | | | | |
| Johnny | 15 Nov 07 | | | | | | | | | | | | |
| FINISH | | -0.2 +0.2 | | DRAWN BY Billy CHECKED BY Joy APPROVED BY Johnny | | | | | | | | | |
| SEE BOM OF DETAILS | | Plating part to be touched by gloves | | DIMG NO. 5006.SMA.PSC.09.111 | | | | | | | | | |
| SEE BOM OF DETAILS | | Dimension apply before plating | | SCALE 5:1 DO NOT SCALE DRAWING | | | | | | | | | |
| SEE BOM OF DETAILS | | XXX - measuring point for plating | | SIZE A4 SHEET 1 of 1 | | | | | | | | | |
| SURFACE | | VOLUME | | REV. A | | | | | | | | | |

NOTICE: Those drawings and specifications are the property of ZEETEQ CORPORATION and used only for the specify purpose authorised by ZEETEQ.

Zeeteq

SMA, plug, cable

5006.SMA.PSC.09.111

1 2 3 4 5 6

