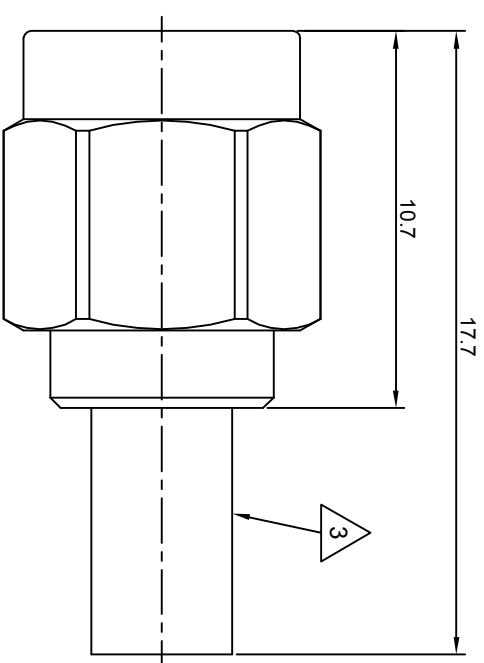
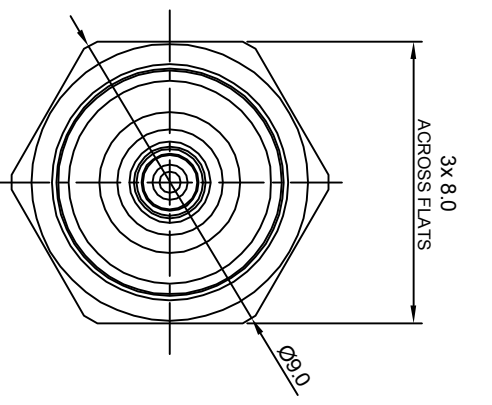
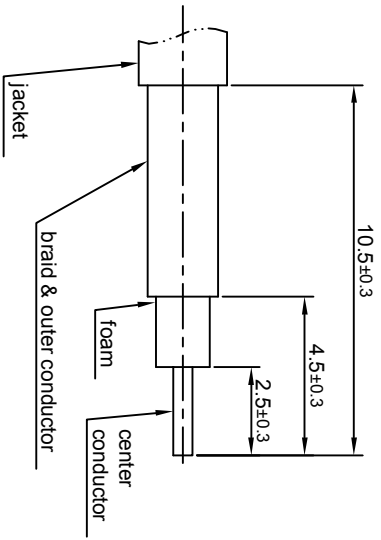


NOTES: (UNLESS OTHERWISE SPECIFIED)

1. Interface comply with IEC 169-15.
2. Part must be packaged to avoid any damages during transportation.
3. After crimping dimension should be AF/SW 3.25.



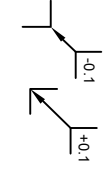
recommended cable stripping dims



REV.	DESCRIPTION	APPROVED	DATE	ECN
A	Rel to production	Johnny	16Nov07	

MATERIAL SEE BOM	
FINISH SEE BOM	
Plating part to be touched by gloves	
Dimension apply before plating	
XXX - measuring point for plating	
SURFACE	VOLUME

TOLERANCES	Remove burrs and sharp edges
Optical X ±1	
1place X ±0.1	
2place .XX ±0.05	
Angle ±5°	



THIRD ANGLE PROJECTION	
GENERAL ECCENTRICITY	0.06
DRAWN BY	Joy Zhou
CHECKED BY	Collin Dai
APPROVED BY	Johnny
NAME	DATE
150c107	16Nov07

TITLE		Zeeteq	
SMA, plug, cable mount		DWG NO.	
5004.SMA.PSC.07.111		16Nov07	
SCALE	DO NOT SCALE DRAWING	SIZE	SHEET
5:1		A4	1 of 1

