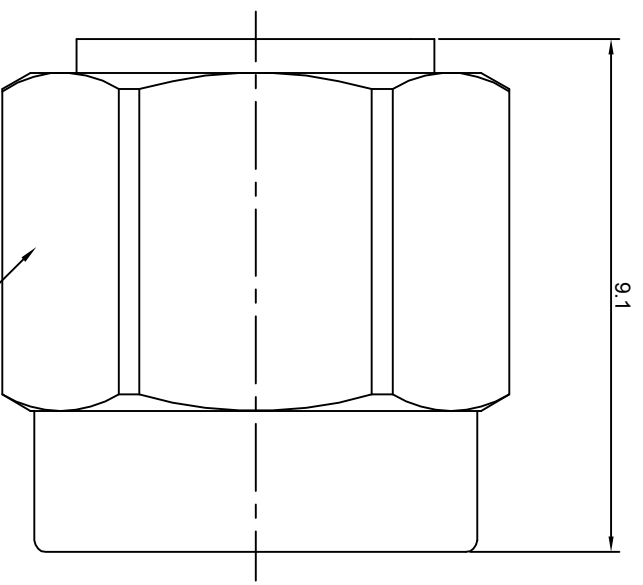
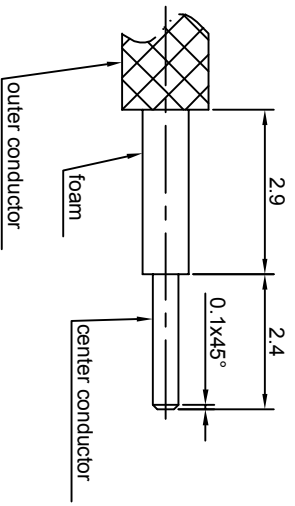


NOTES: (UNLESS OTHERWISE SPECIFIED)
 1. Interface comply with IEC169-15.
 2. part must be packaged to avoid any damages during transportation.

REV.	DESCRIPTION	APPROVED	DATE	ECN
A	Rel to production	Johnny	16Nov07	



recommended cable stripping dims



MATERIAL SEE BOM		TOLERANCES		THIRD ANGLE PROJECTION		TITLE	
FINISH SEE BOM		Optical X ±1 1place .X ±0.1 2place .XX ±0.05 Angle ±5°					
Plating part to be touched by gloves		Remove burrs and sharp edges		GENERAL ECCENTRICITY <input checked="" type="checkbox"/> 0.06		DWG NO.	
Dimension apply before plating				DRAWN BY Joy Zhou		5001.SMA.PSC.03.011	
XXX - measuring point for plating		<input type="checkbox"/> -0.1 <input type="checkbox"/> +0.1		CHECKED BY Colin Dai		SCALE	
SURFACE		NOTICE: Those drawings and specifications are the property of ZEETEQ CORPORATION and used only for the specify purpose authorised by ZEETEQ		APPROVED BY Johnny		8:1	
VOLUME				DATE 19Sep07		DO NOT SCALE DRAWING	
				16Nov07		SIZE A4	
				16Nov07		SHEET 1 of 1	
				REV. A			

