

# DATA SHEET

## Cable connector



### Part Number

5001.SMA.PSC.03.011

### Description

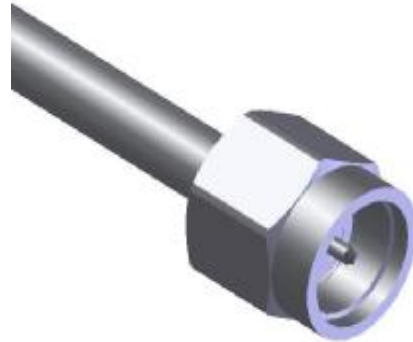
SMA, Plug, Straight, Cable Mount

### Interface Standard

IEC 60169-15

### Suitable Cable

RG402/U, UT141



### Electrical Data

Impedance	50	Ω		
Max. operating frequency	18	GHz	connector limited	
Frequency range	DC to 1GHz	1 to 2.2GHz	2.2 to 3GHz	3 to 6GHz
VSWR	≤1.01	≤1.03	≤1.05	≤1.06
Insertion loss	0.03 $\sqrt{f(\text{GHz})}$	dB		
Insulation resistance	≥5000	MΩ		
Center contact resistance	≤3	mΩ		
Outer contact resistance	≤2.5	mΩ		
Dielectric withstanding voltage	≥1000	Vrms @ 50Hz	cable limited	
Working voltage	≥335	Vrms @ 50Hz	cable limited	

### Mechanical Data

Mating cycles	≥500	
Center contact axial force	≥22	N
Center contact axial torque	≥0.03	Nm
contact gauge ret. Force	≥0.28	N
Center contact	N/A	
Outer contact	solder	
Cable retention force		
RG402/U	≥309.1	N
UT141	≥100	N

### Environmental Data

Operating temperature	restricted by cable and/or silicone used
2002/95/EC (ROHS)	compliant
Sealing	IP68 (IEC60529)
Thermal shock	MIL-STD-202 Method107, condition B
Moisture resistance	MIL-STD-202 Method106
Corrosion resistance	MIL-STD-202 Method101, condition B
Vibration	MIL-STD-202 Method204, condition D
Shock	MIL-STD-202 Method213, condition I

### Material Data

Piece Parts	Material	Surface Plating
body	Brass	Au