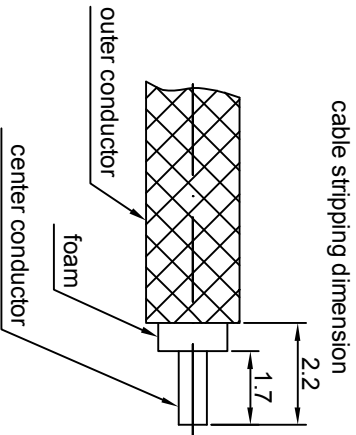
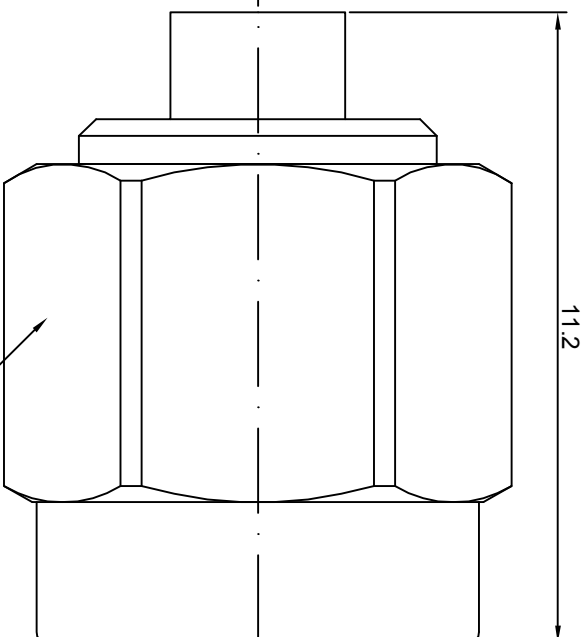


- NOTES: (UNLESS OTHERWISE SPECIFIED)**
- 1 interface comply with IEC169-15
 - 2 part must be packaged to avoid any damages during transportation

REV.	DESCRIPTION	APPROVED	DATE	ECN
A	Rel to production	Johnny	03Aug07	
B	Stripping dims: add 2.2, 1.9 to 1.7.	Joy	29Sep07	ECN_07_004



MATERIAL		TOLERANCES		THIRD ANGLE PROJECTION		TITLE	
see BOM for details		Optance X ±1 1place .X ±0.1 2place .XX ±0.05 Angle ±5°					
FINISH		Remove burrs and sharp edges		DRAWN BY		DWG NO.	
see BOM for details				NAME		5000.SMA.PSC.03.111	
Dimension apply before plating		APPROVED BY		DATE		SCALE	
XXX - measuring point for plating		Johnny		23Jul07		8:1	
SURFACE		MASS		CHECKED BY		DO NOT SCALE DRAWING	
				Joy Zhou			
				23Jul07		SIZE	
				APPROVED BY		A4	
				Johnny		SHEET	
				23Jul07		1 of 1	
				NOTICE: Those drawings and specifications are the property of ZEETEQ CORPORATION and used only for the specify purpose authorised by ZEETEQ		REV.	
						B	

