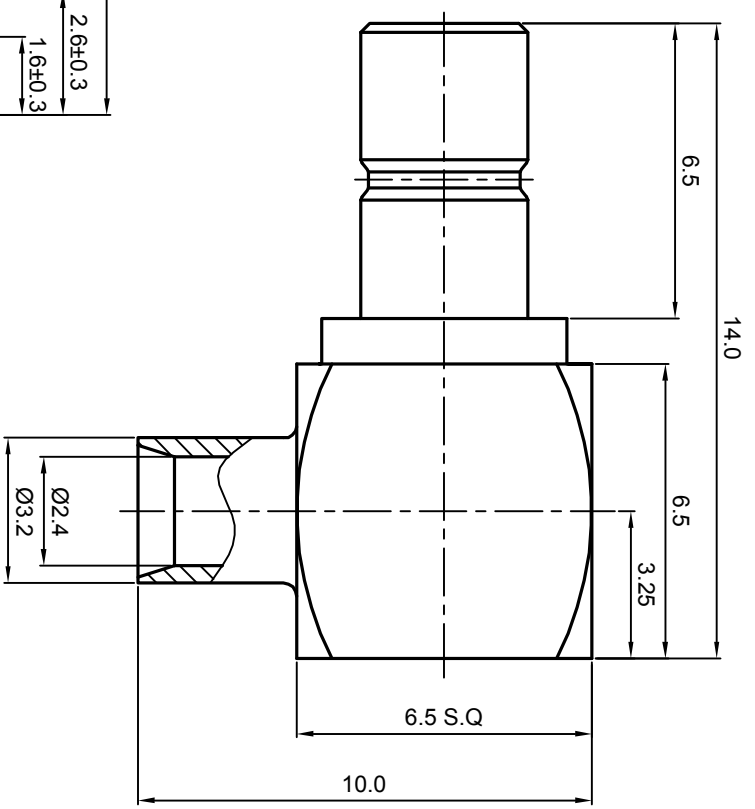
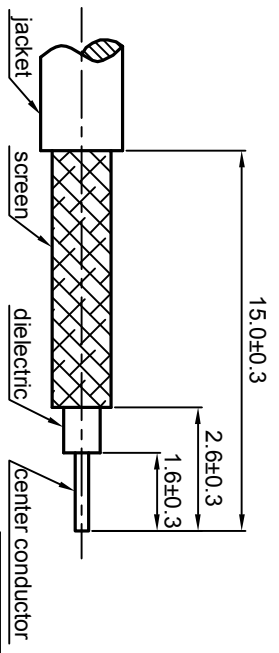


NOTES: (UNLESS OTHERWISE SPECIFIED)

1. The interface comply with IEC 169-10.
2. Part must be packaged to avoid any damages during transportation.



RECOMMENDED CABLE STRIPPING DIMENSIONS



REV.	DESCRIPTION	APPROVED	DATE	ECN

MATERIAL	
SEE BOM FOR DETAILS	
FINISH	
SEE BOM FOR DETAILS	
Plating part to be touched by gloves	
Dimension apply before plating	
XXX - measuring point for plating	
SURFACE	VOLUME

TOLERANCES	
Opface	X ±1
1place	.X ±0.1
2place	.XX ±0.05
Angle	±5°
Remove burrs and sharp edges	
	-0.2
	+0.2

THIRD ANGLE PROJECTION	
GENERAL ECCENTRICITY	<input checked="" type="checkbox"/> 0.06
DRAWN BY	NAME
Colin	DATE
CHECKED BY	16NOV07
APPROVED BY	

TITLE	
SMB, PLUG, CABLE	
DWG NO.	
5142.SMB.PRC.02.111	
SCALE	DO NOT SCALE DRAWING
6:1	
SIZE	SHEET
A4	1 of 1
REV.	
S1	

