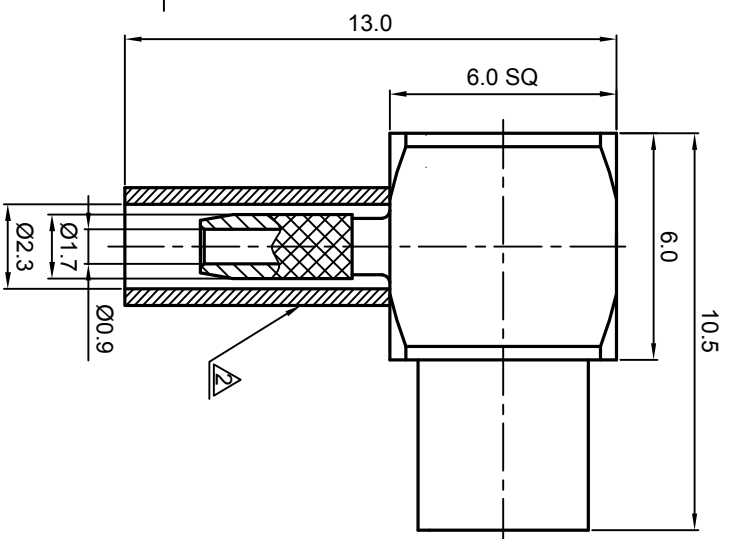
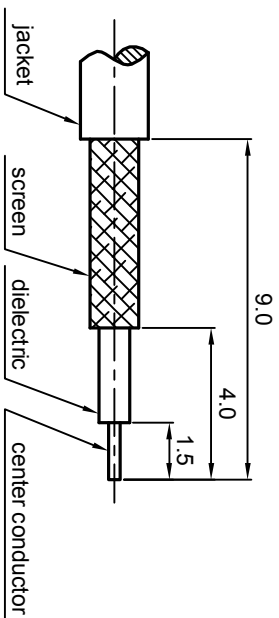


NOTES: (UNLESS OTHERWISE SPECIFIED)

1. The interface comply with IEC169-36.
2. After crimping dimension should be SW2.67

| REV. | DESCRIPTION | APPROVED | DATE | EON |
|------|--------------------|----------|---------|-----|
| A | REL. TO PRODUCTION | Johnny | 23Jan08 | |
| | | | | |
| | | | | |

RECOMMENDED CABLE STRIPPING DIMENSIONS



1.6

| | |
|--------------------------------------|--------|
| MATERIAL | |
| SEE BOM FOR DETAILS | |
| FINISH | |
| SEE BOM FOR DETAILS | |
| Plating part to be touched by gloves | |
| Dimension apply before plating | |
| XXX - measuring point for plating | |
| SURFACE | VOLUME |

| | |
|------------------------------|----------|
| TOLERANCES | |
| 0place | X ±1 |
| 1place | X ±0.1 |
| 2place | XX ±0.05 |
| Angle | ±5° |
| Remove burrs and sharp edges | |
| | |

| | | |
|---|--------|---------|
| THIRD ANGLE PROJECTION | | |
| | | |
| GENERAL ECCENTRICITY <input checked="" type="checkbox"/> 0.06 | | |
| DRAWN BY | NAME | DATE |
| Danny | Danny | 31OCT07 |
| CHECKED BY | NAME | DATE |
| Collin | Collin | 23Jan08 |
| APPROVED BY | NAME | DATE |
| Johnny | Johnny | 23Jan08 |

| | |
|-------------------------|--------|
| TITLE | |
| Zeeteq | |
| MCX, JACK, ANGEL | |
| DWG. NO. | REV. |
| 5104.MCX.JRC.05.111 | A |
| SCALE | SIZE |
| 5:1 | A4 |
| DO NOT SCALE DRAWING | SHEET |
| | 1 of 1 |